

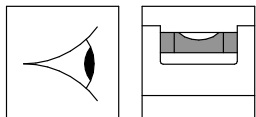
G100 / R60

MONTAGEHANDLEIDUNG

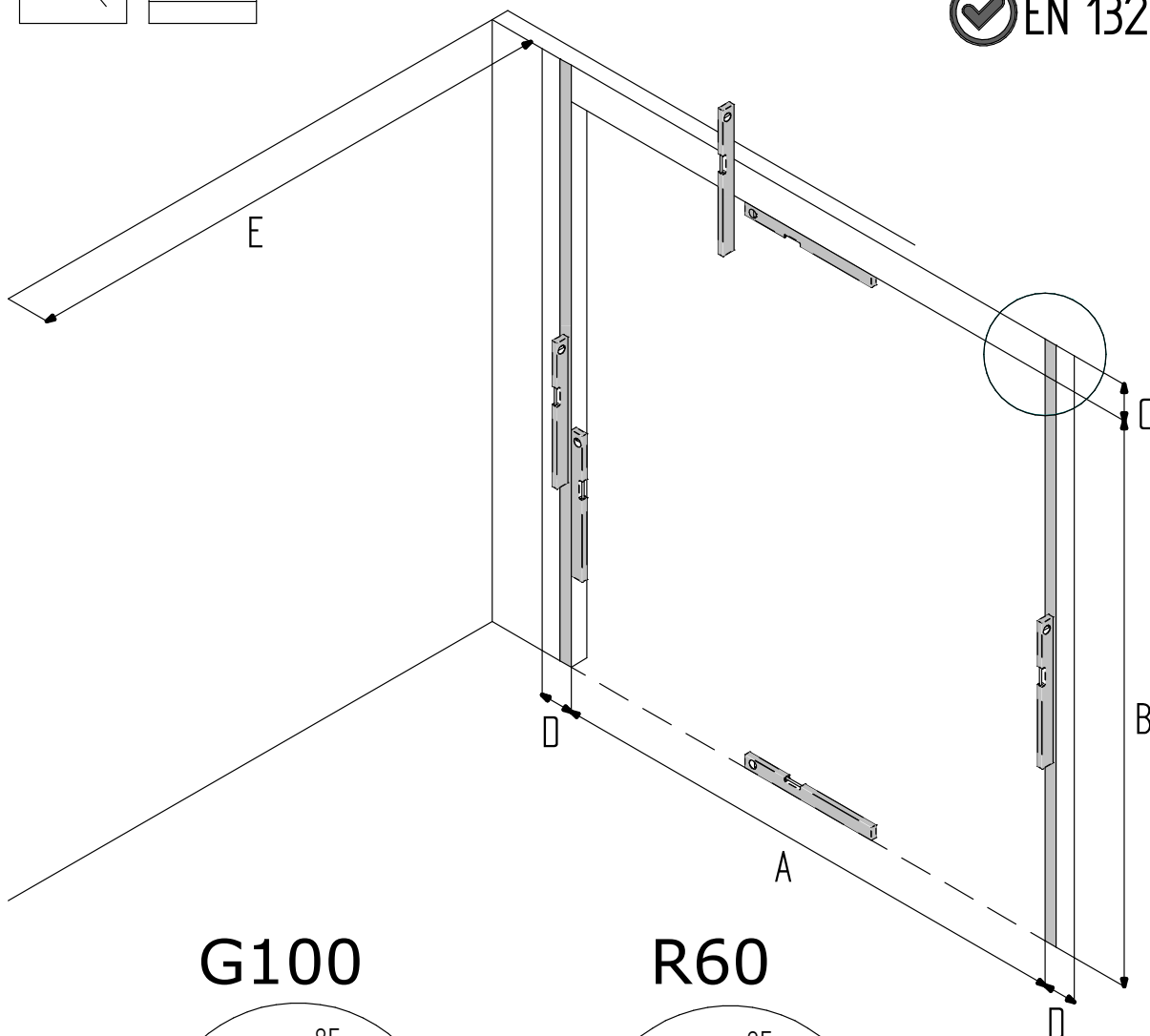
INSTALLATION / ANBAUWEISE

INSTALLATION GUIDE



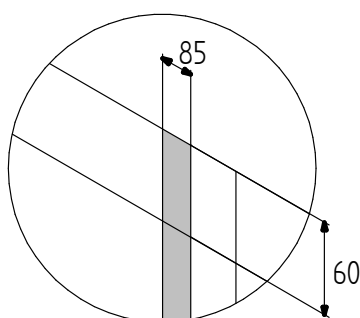
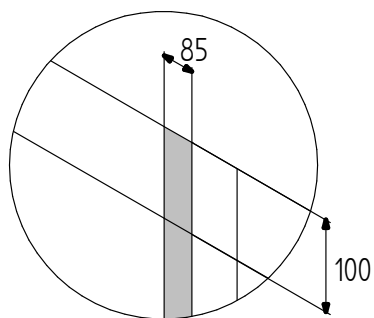


- ✓ EN 12604
- ✓ EN 12453
- ✓ EN 13241

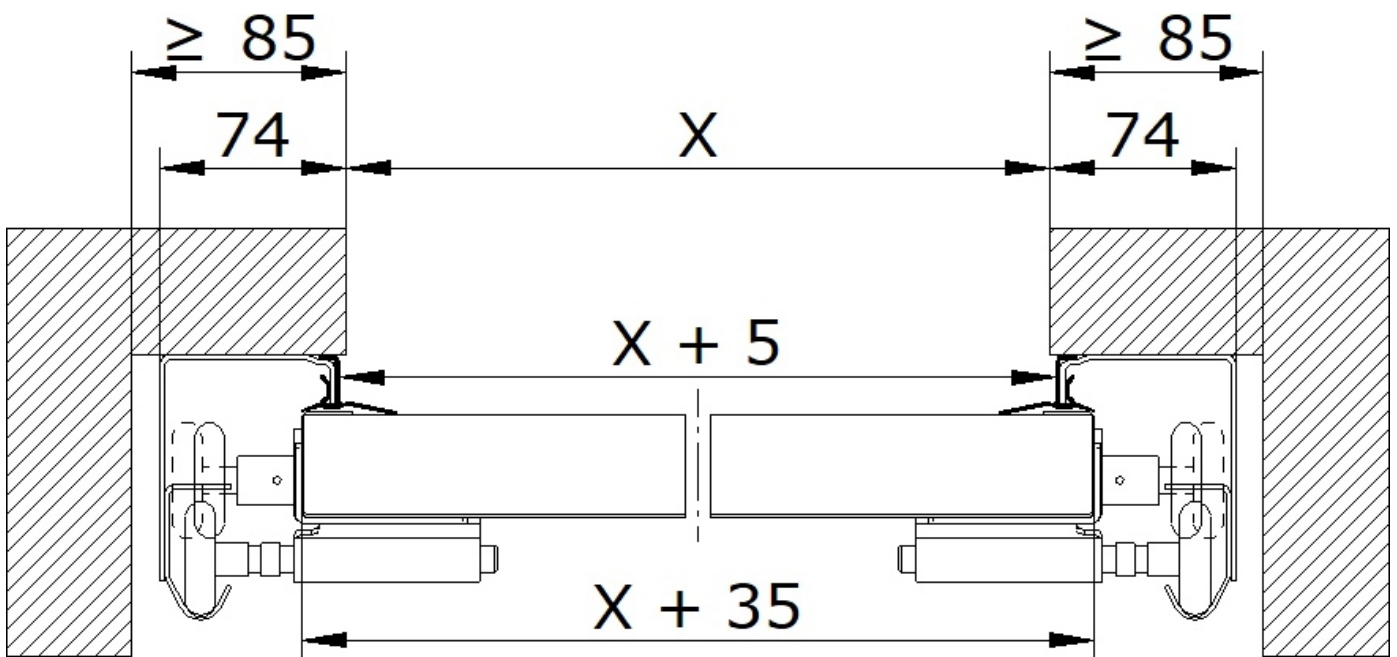
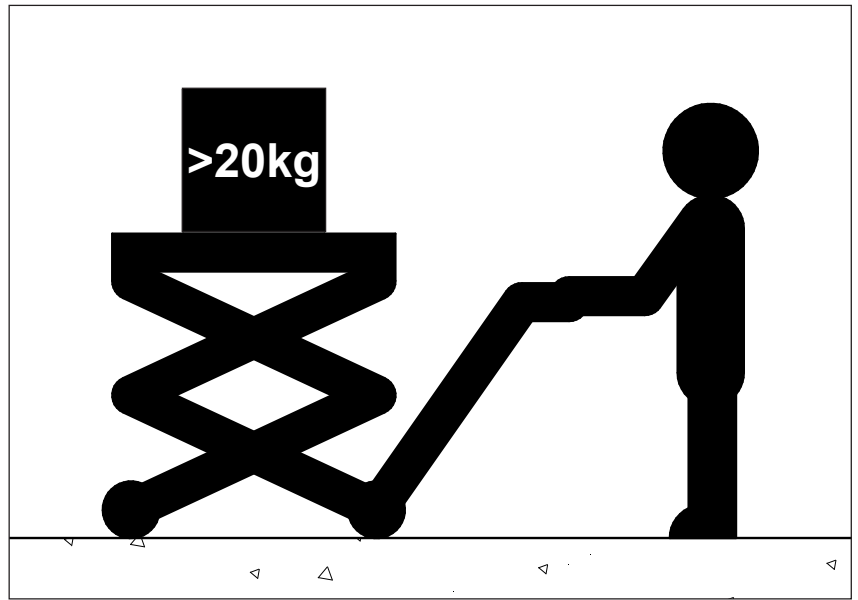


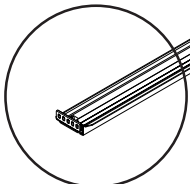
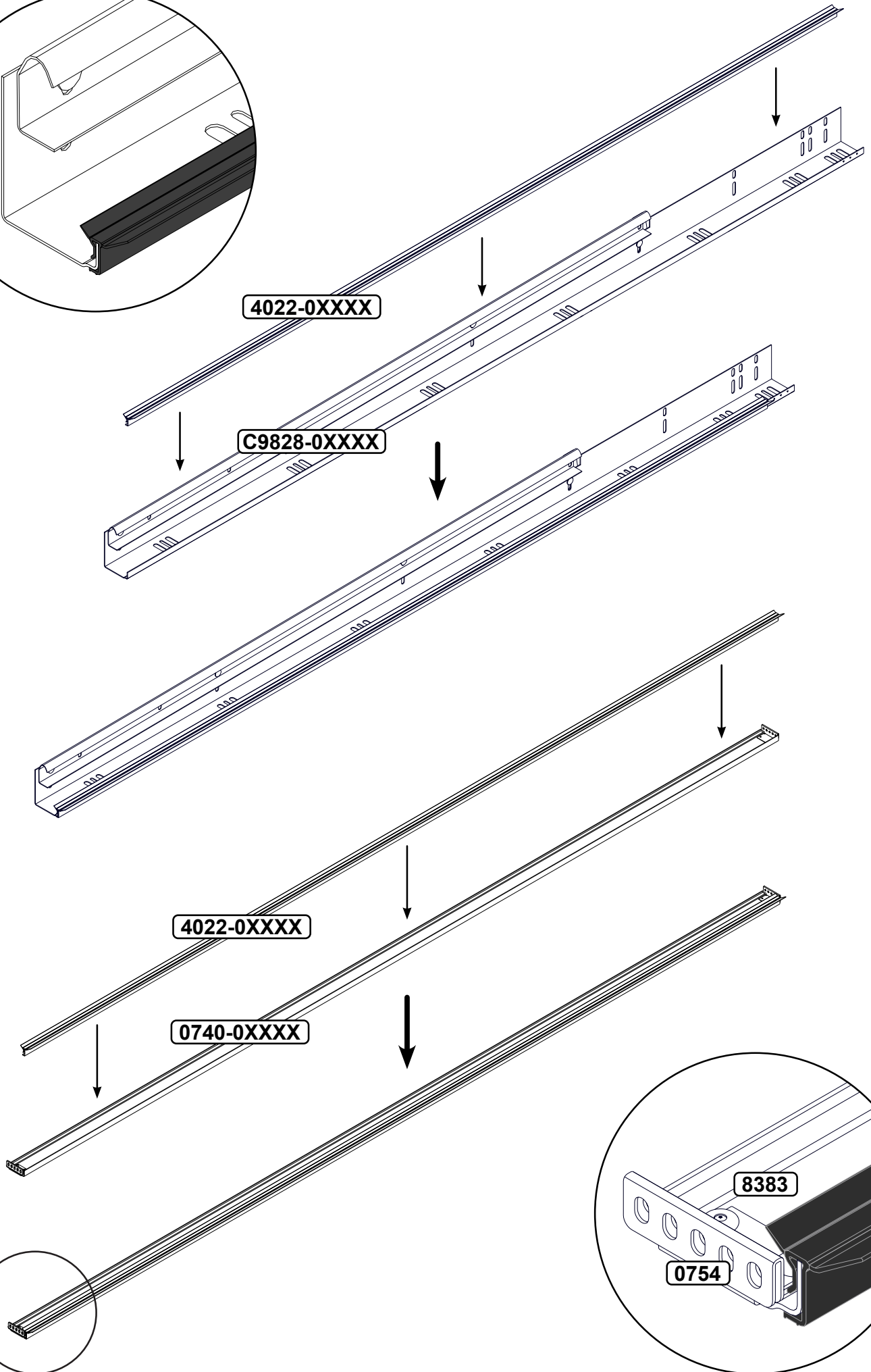
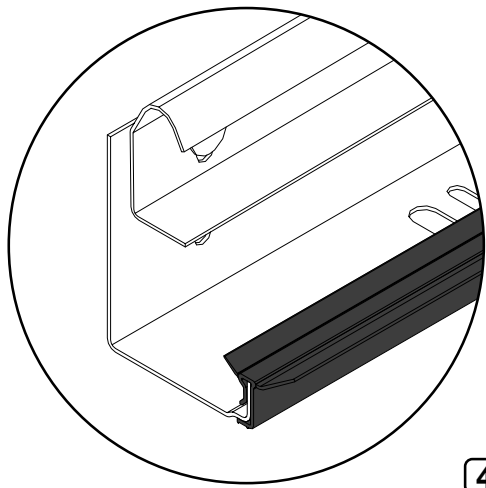
G100

R60

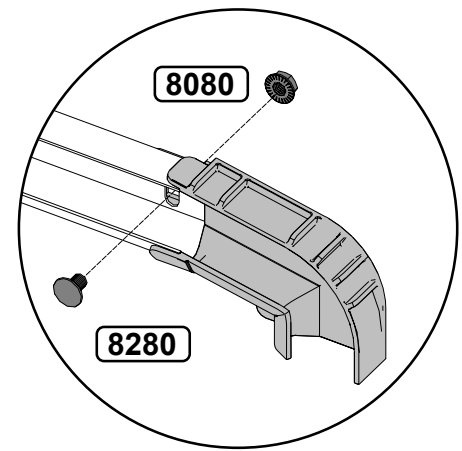
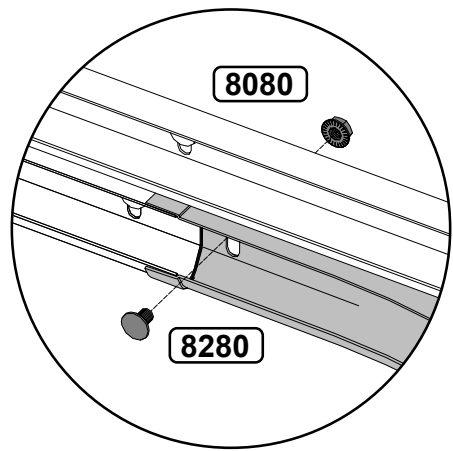
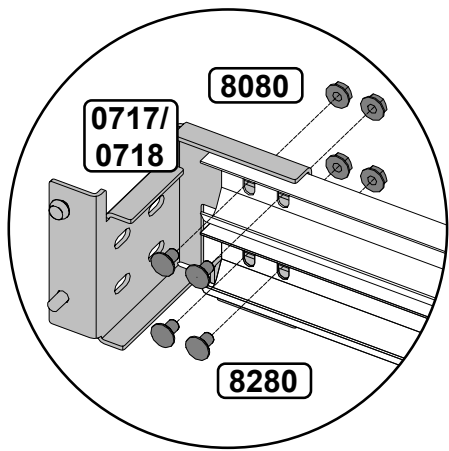
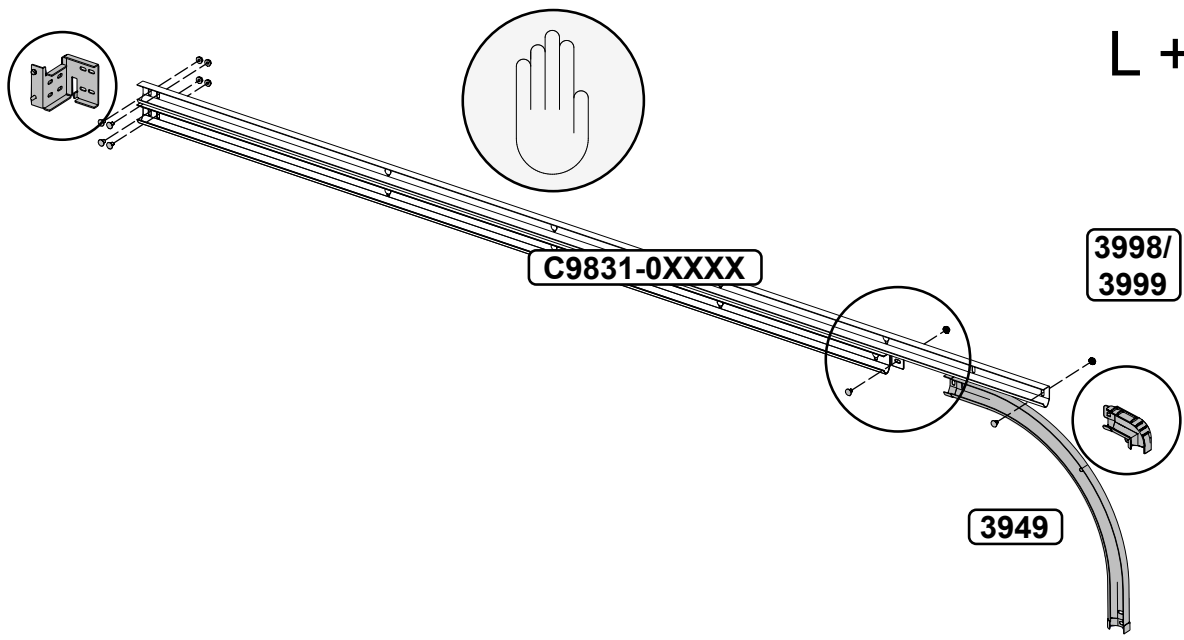


A	B	C	D	E
DLW	DLH	FHR	FSR	FMD
Dagmaat breedte	Dagmaat hoogte	Vrije bovenruimte	Vrije zijruimte	Inbouwdiepte
Day Light Width	Day Light Height	Free Head Room	Free Side Room	Free Mounting Dept
Tageslichtbreite	Tageslichtehöhe	Sturzfreiraum	Freie Seitenraum	Freie Einbautiefe
Largeur de bai	Hauteur de baie	Linteau disponible	Ecoîçons Recuis	Recul
Lățime Gol	Înălțime Gol	Buiandrug Liber	Spațiu Liber Lateral	Spațiu Liber în Adâncime
Szélesség	Magasság	Szabad szemöldök magasság	Szabad hely oldalt	Szabad beépítési mélység

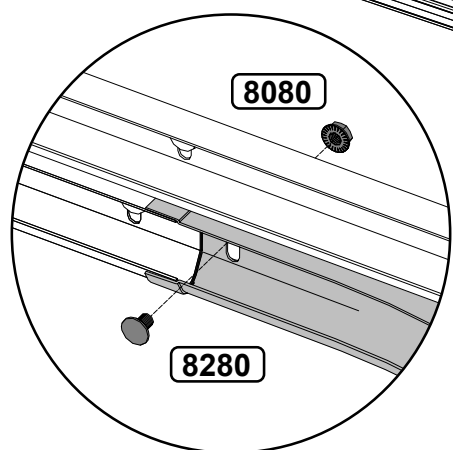
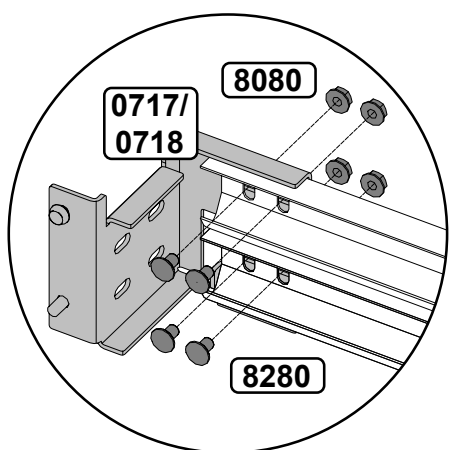
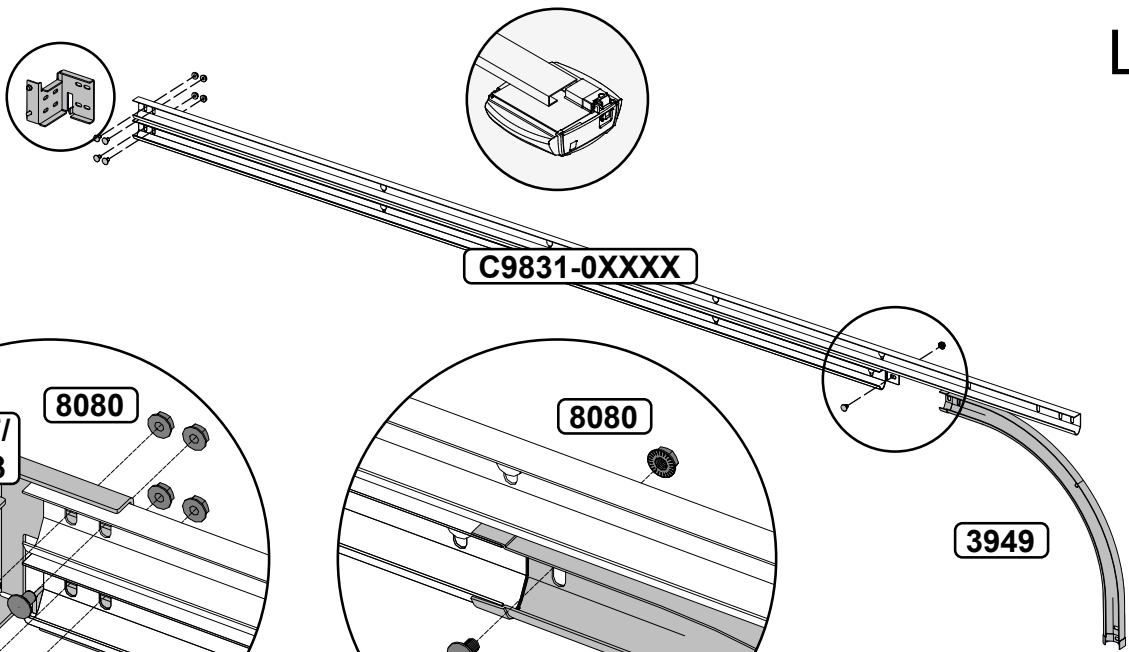


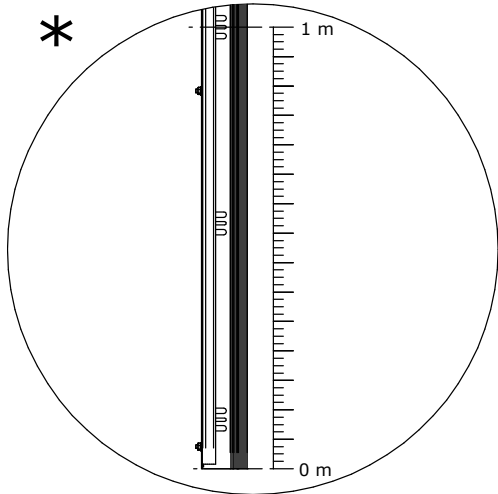
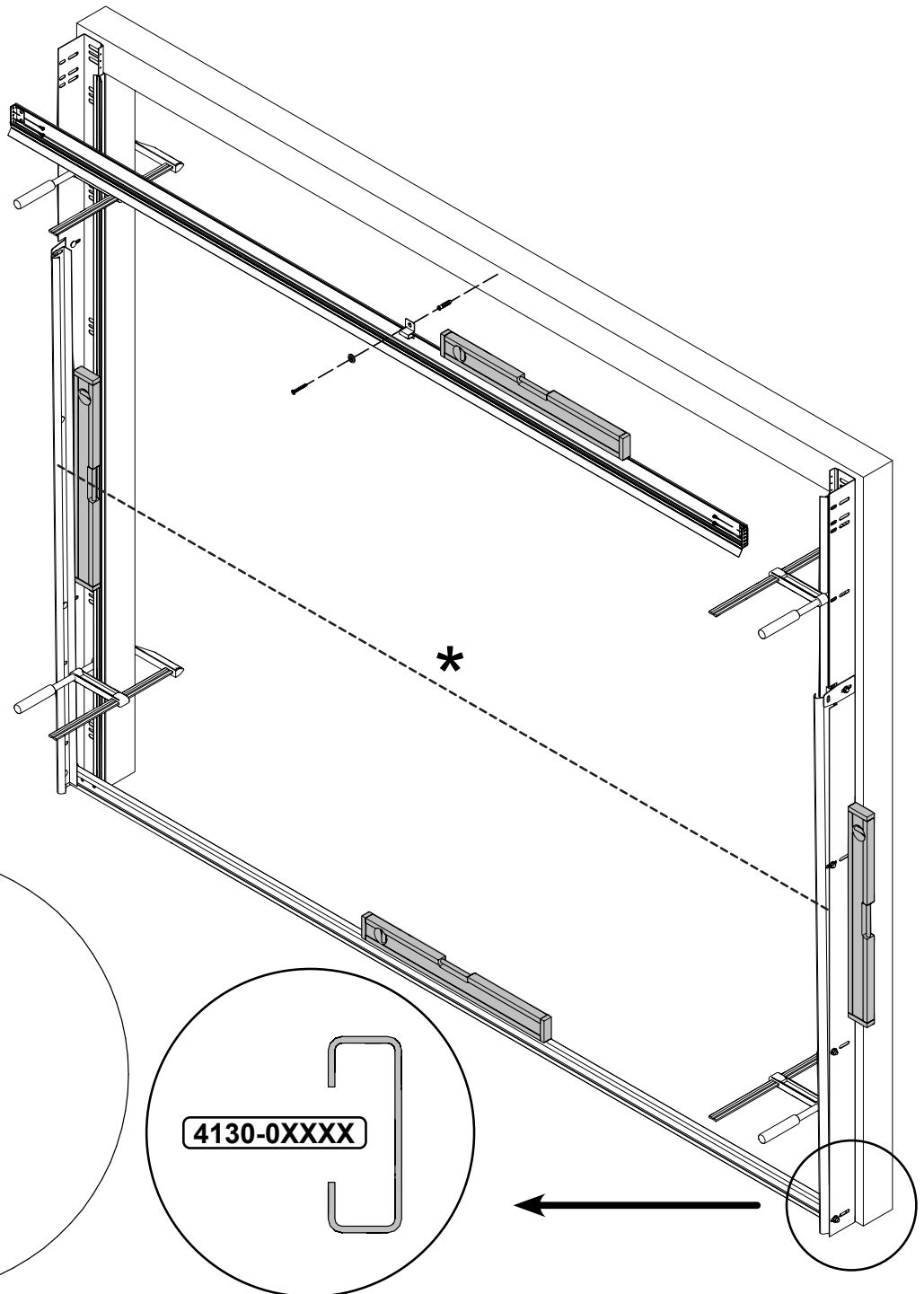
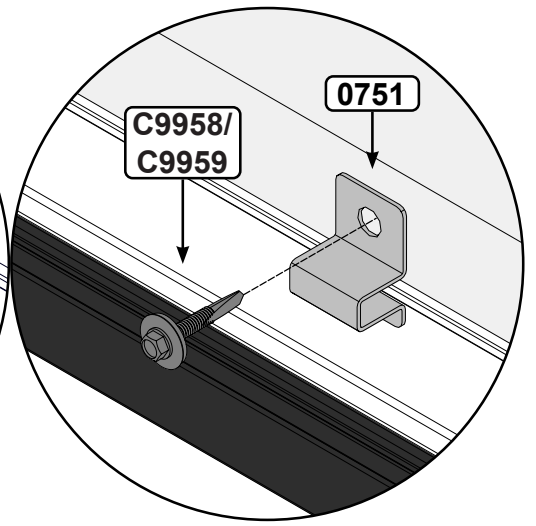
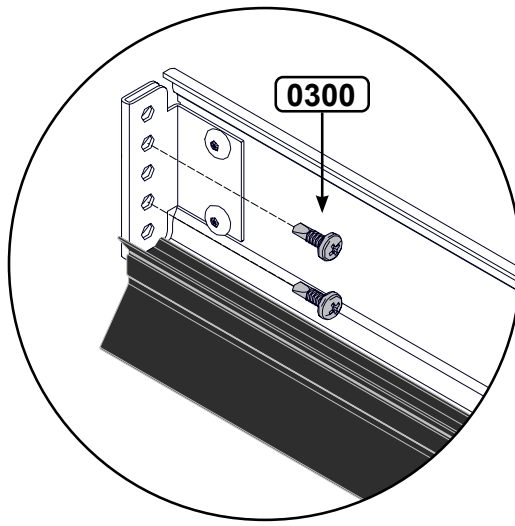


L + R

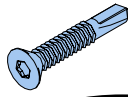


L + R



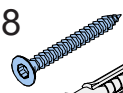


Ø6

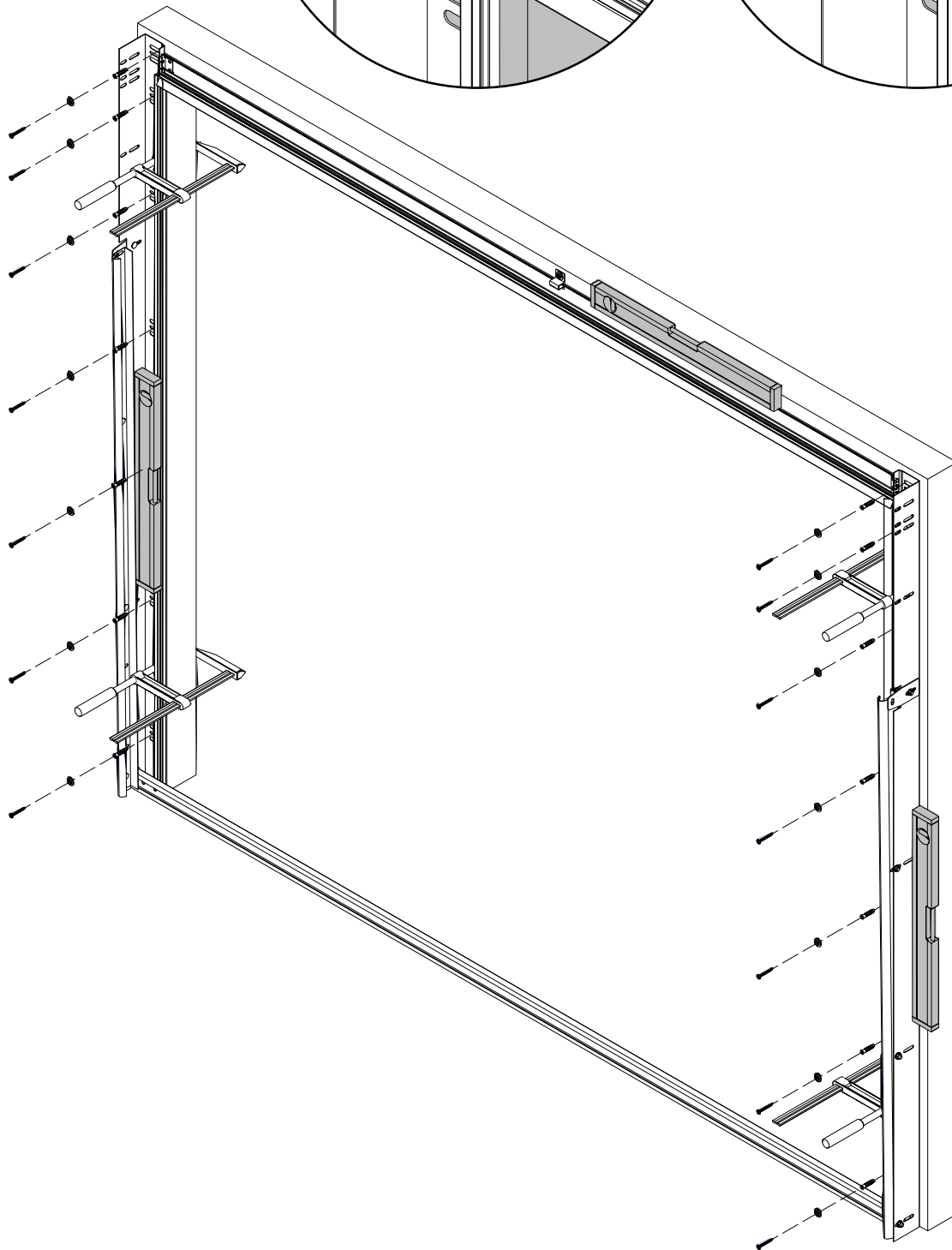
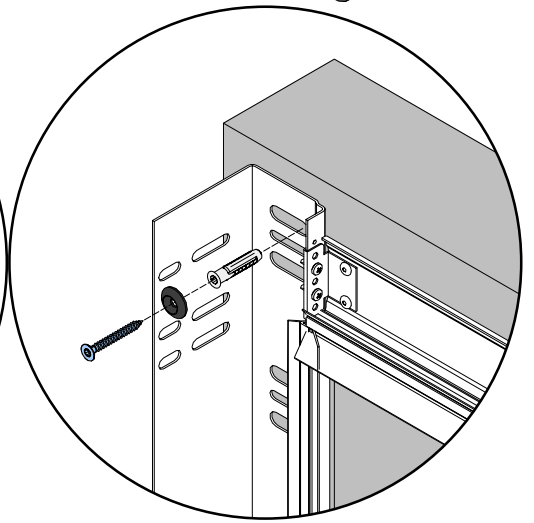
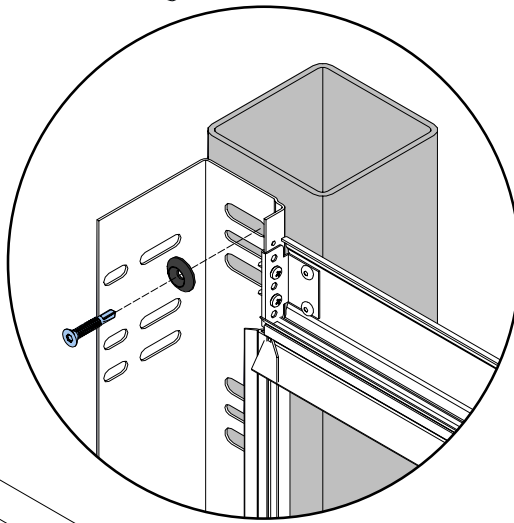


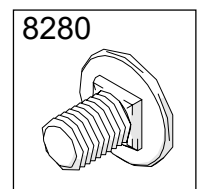
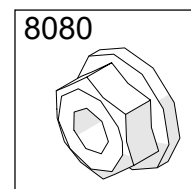
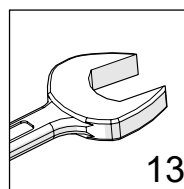
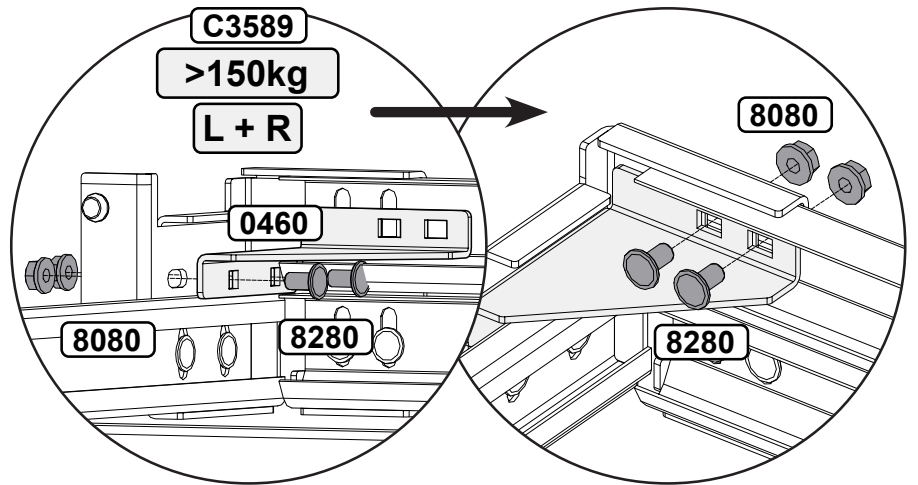
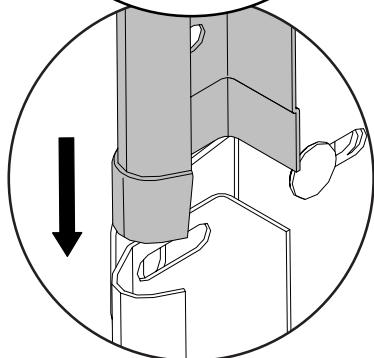
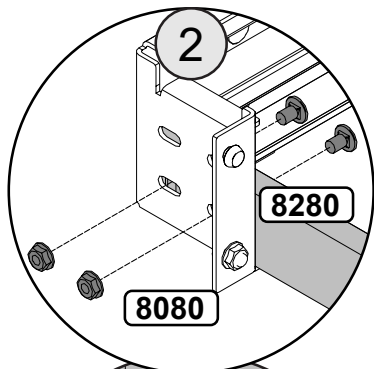
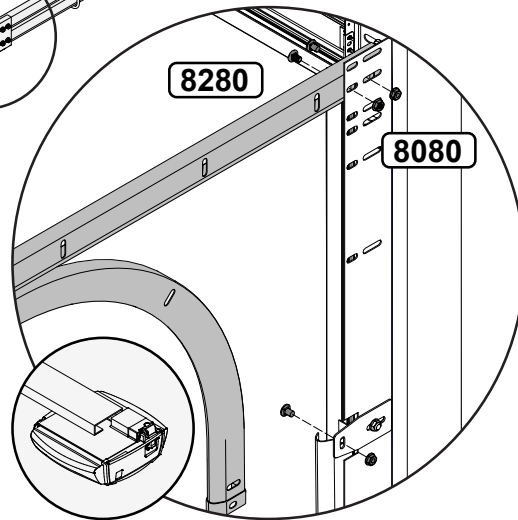
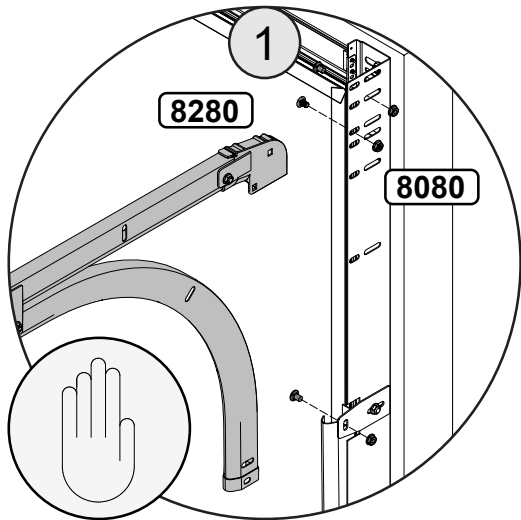
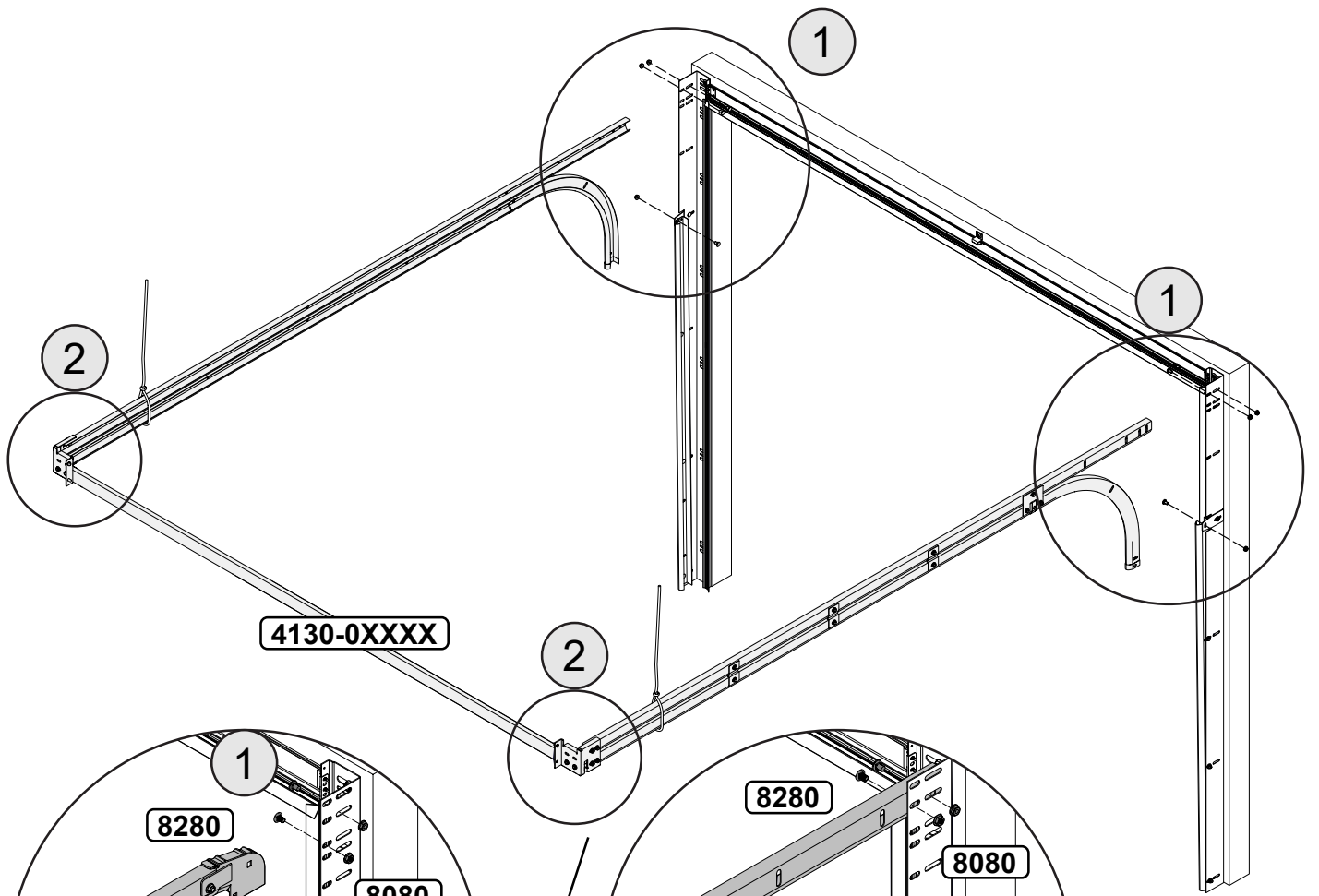
C9958

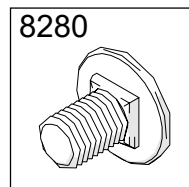
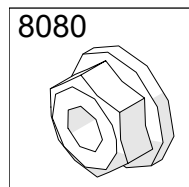
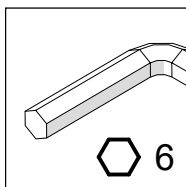
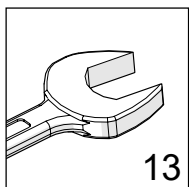
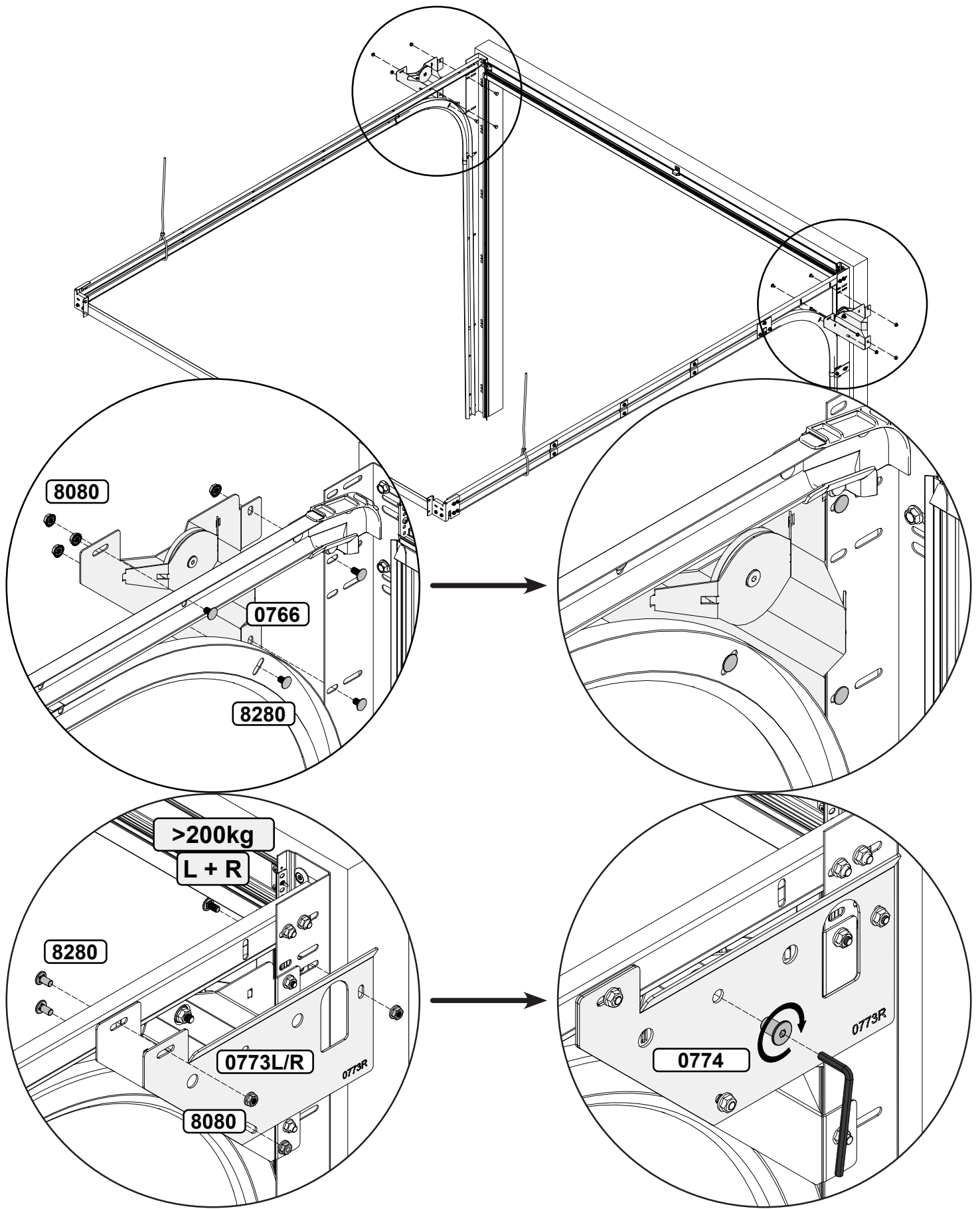
Ø8

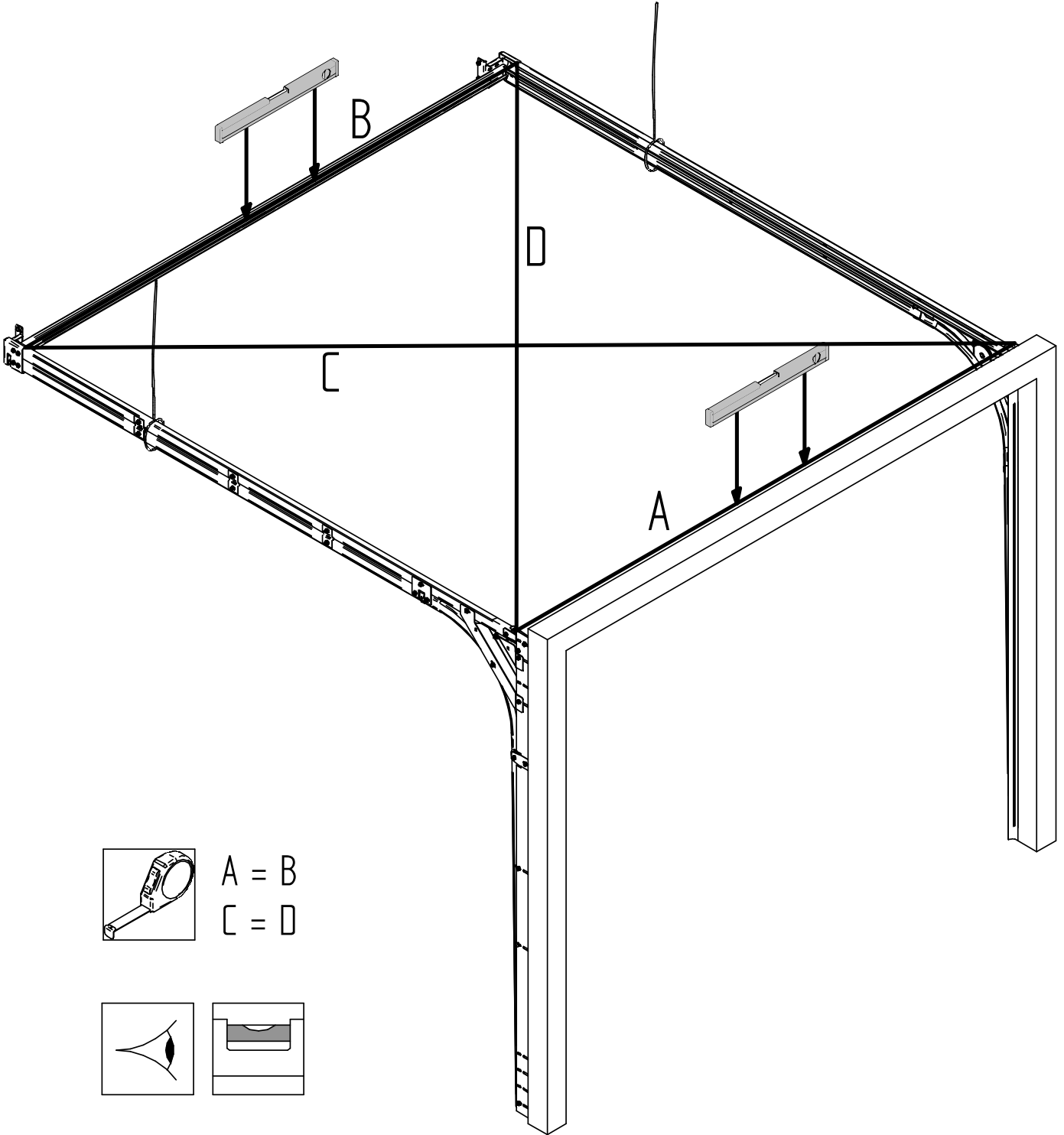


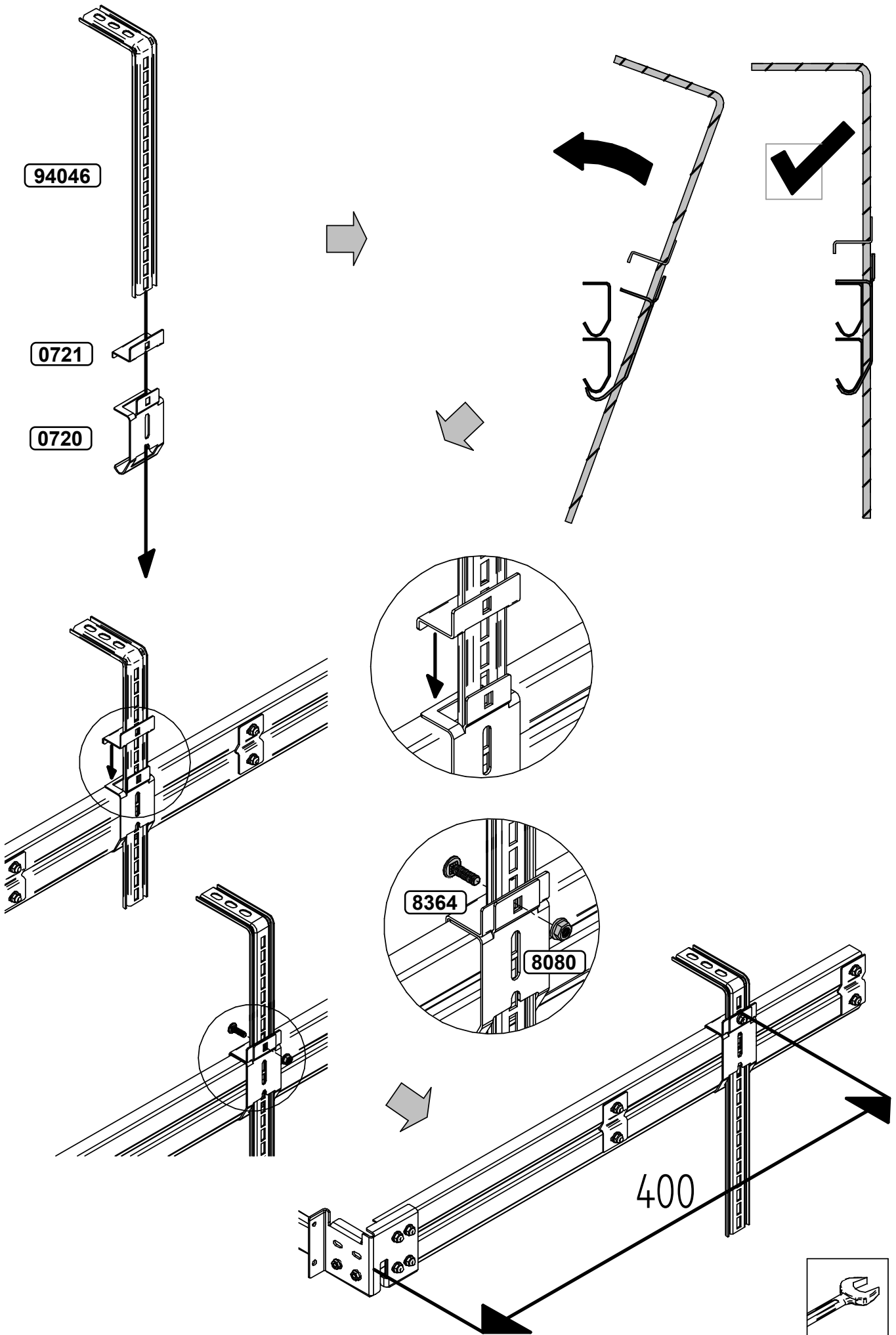
C9959

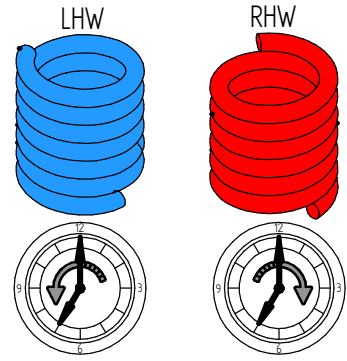
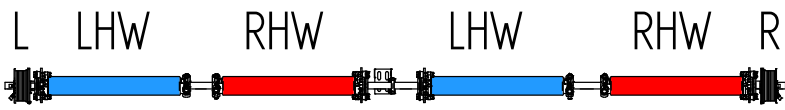
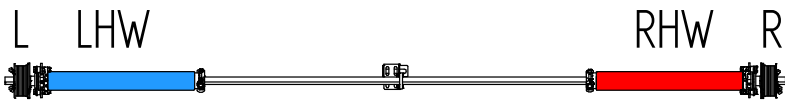




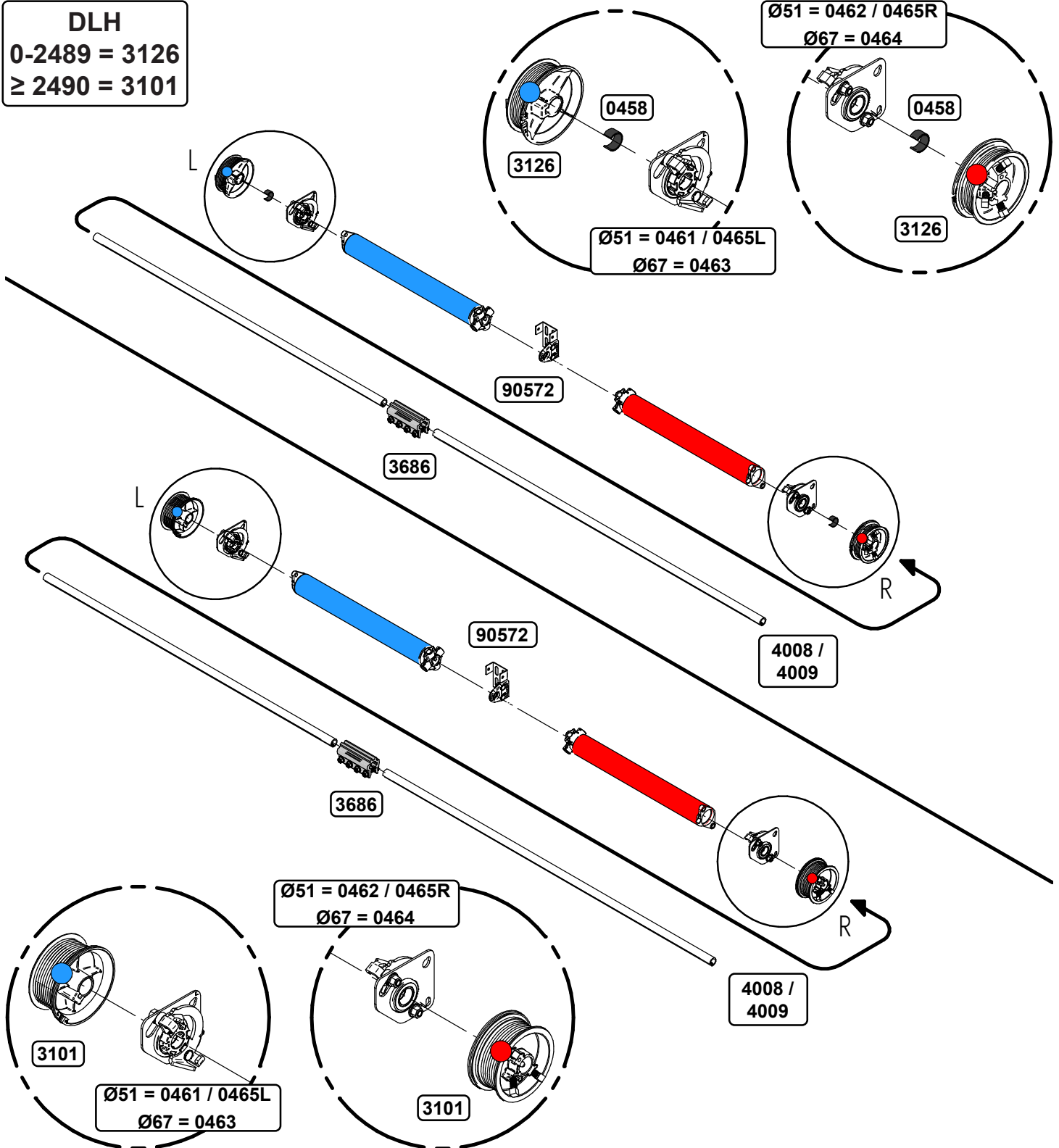


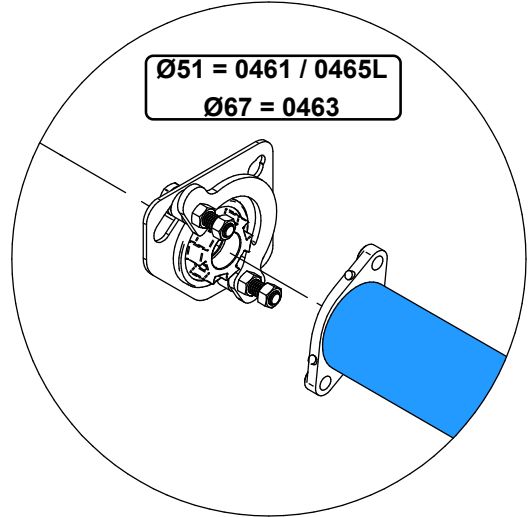
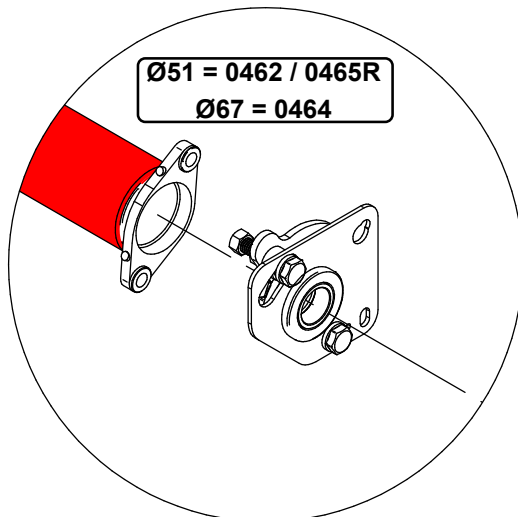
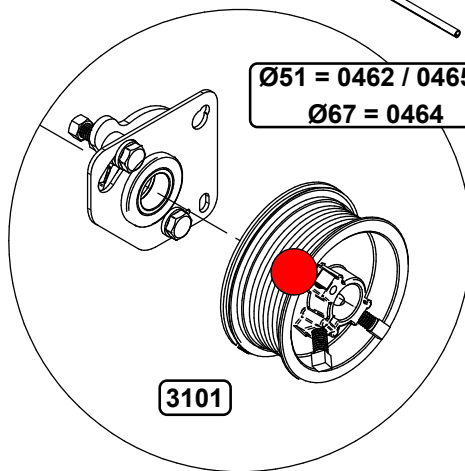
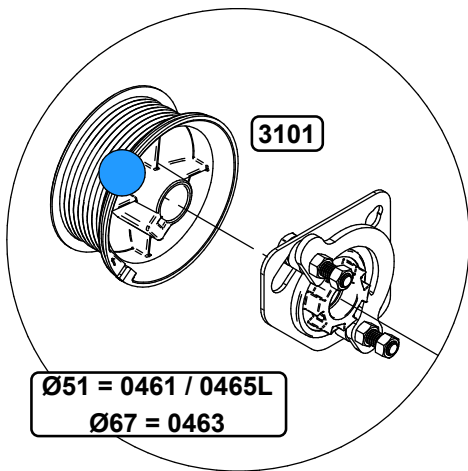
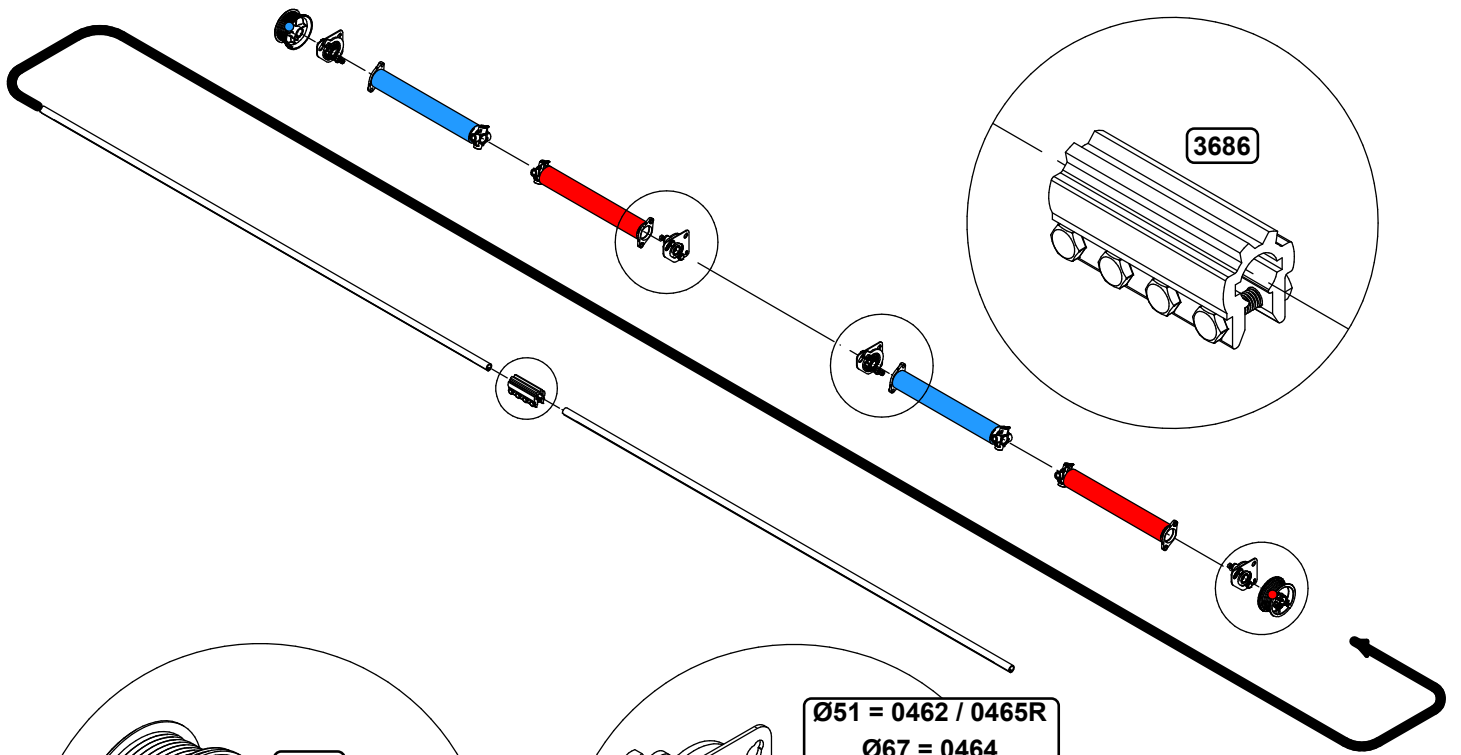


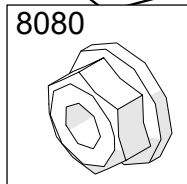
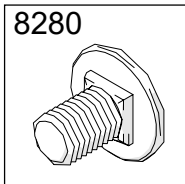
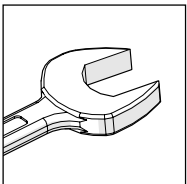
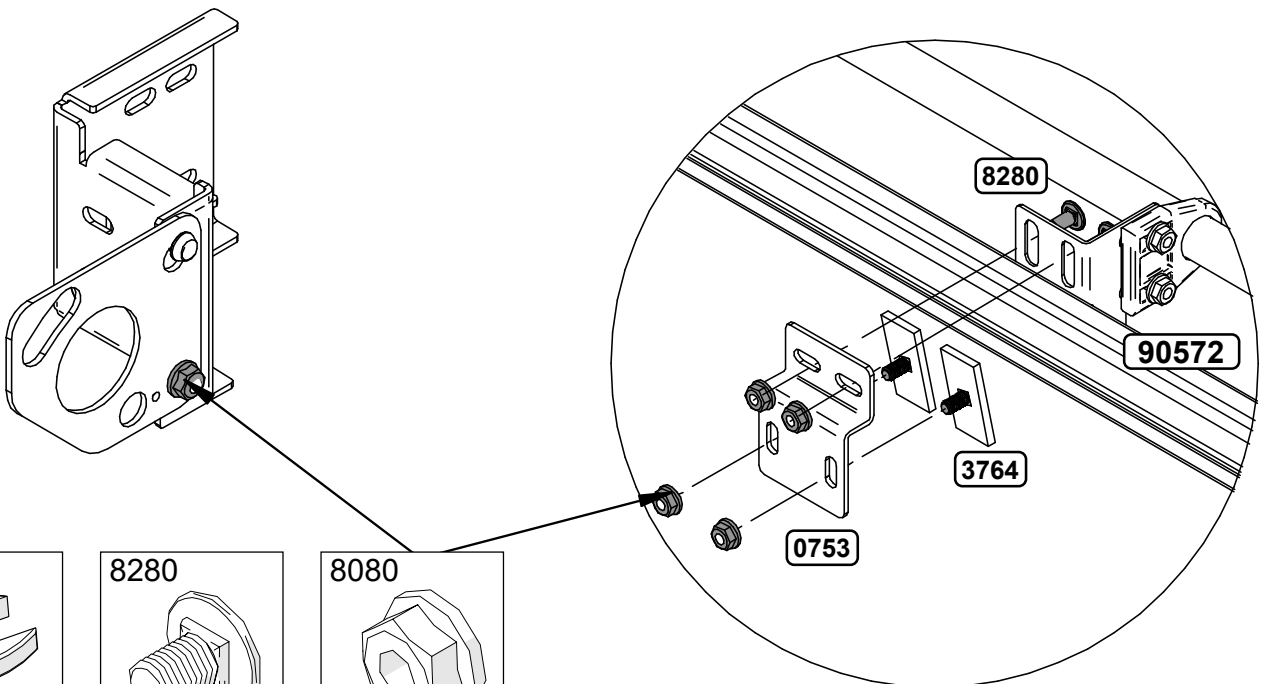
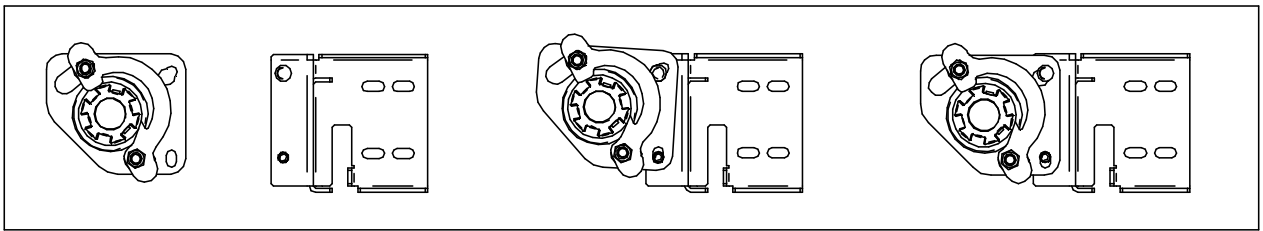
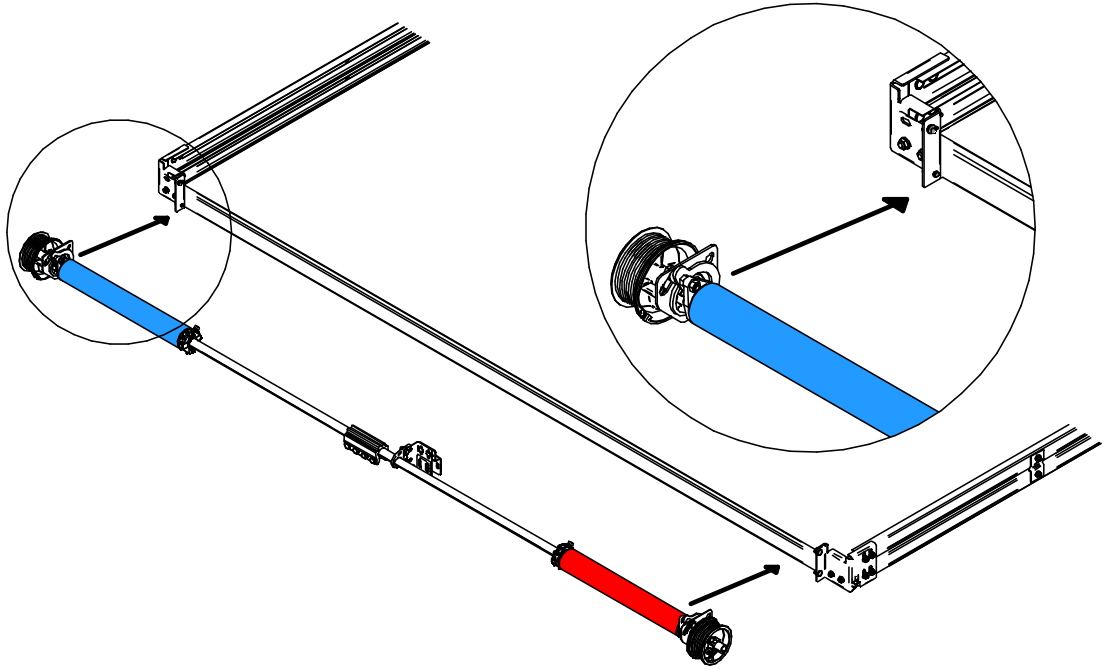
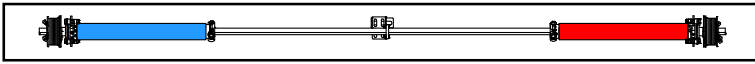


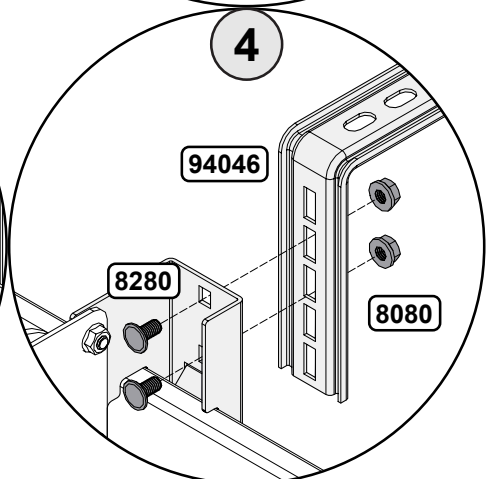
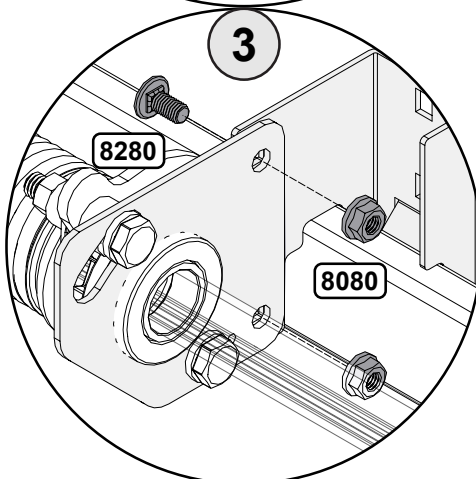
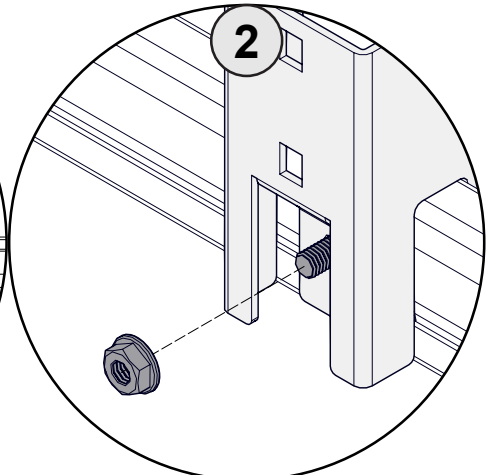
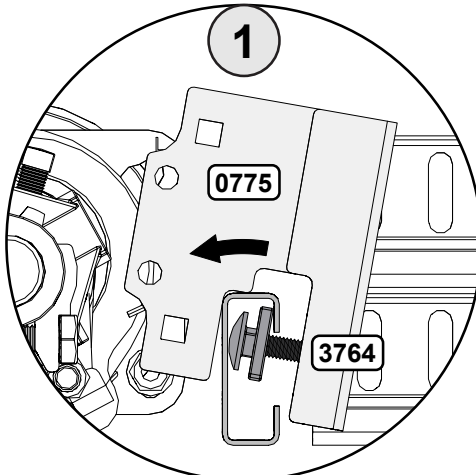
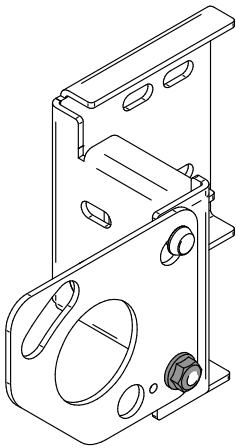
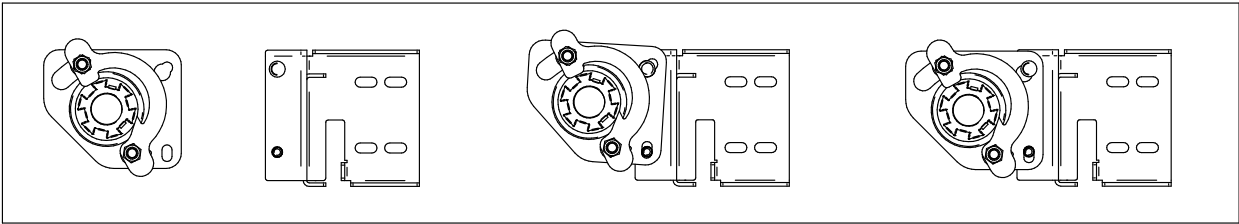
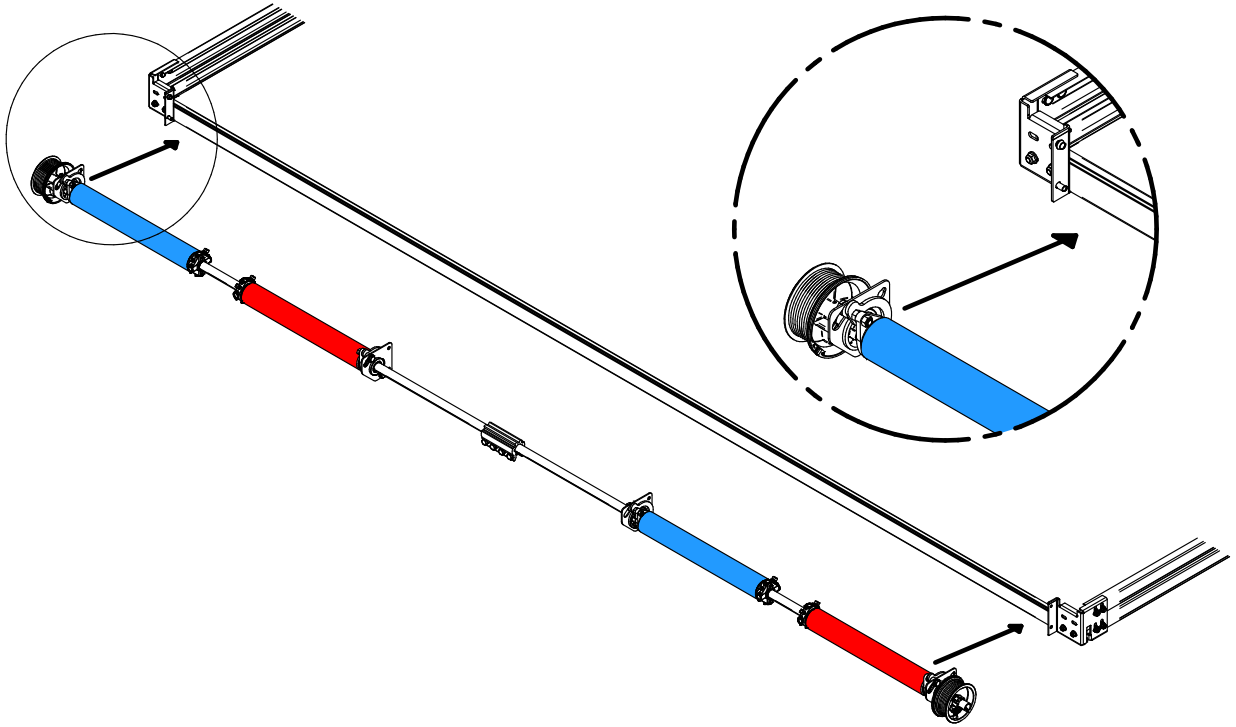
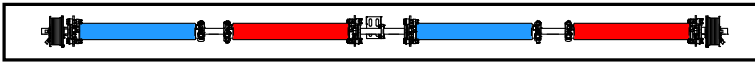


DLH
 0-2489 = 3126
 ≥ 2490 = 3101

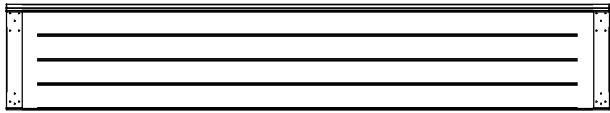








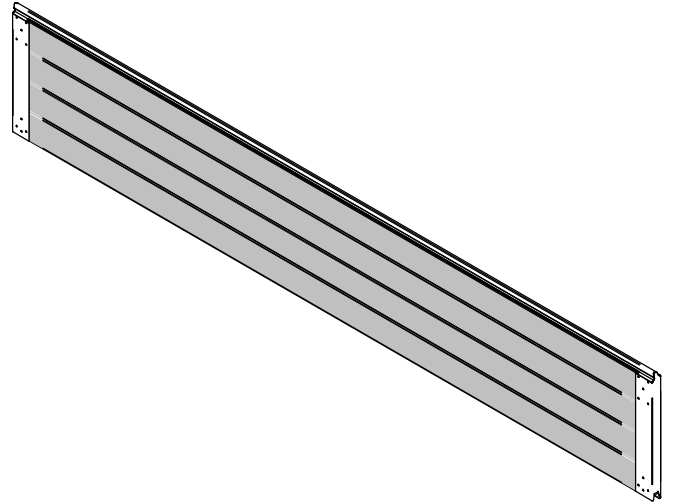
1



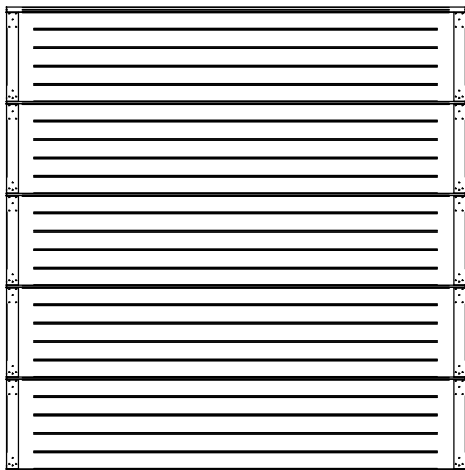
2



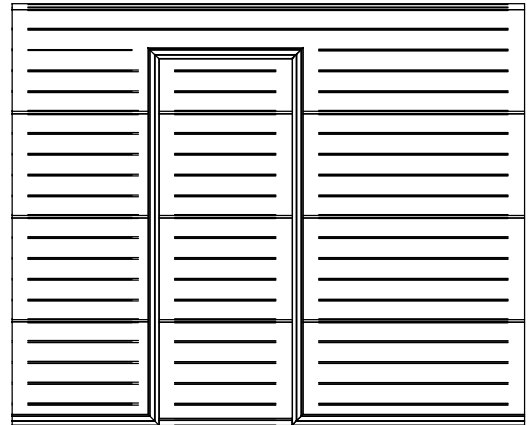
3



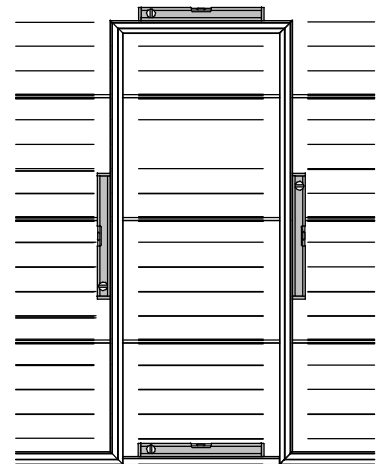
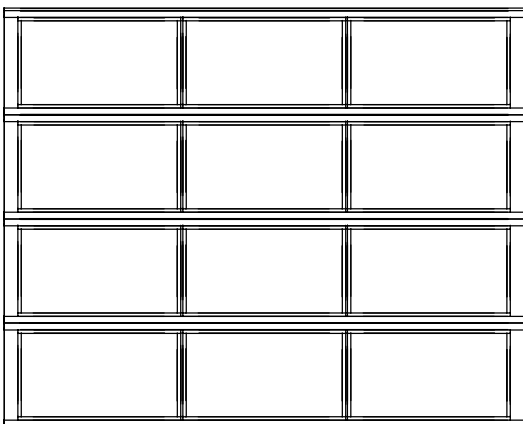
1

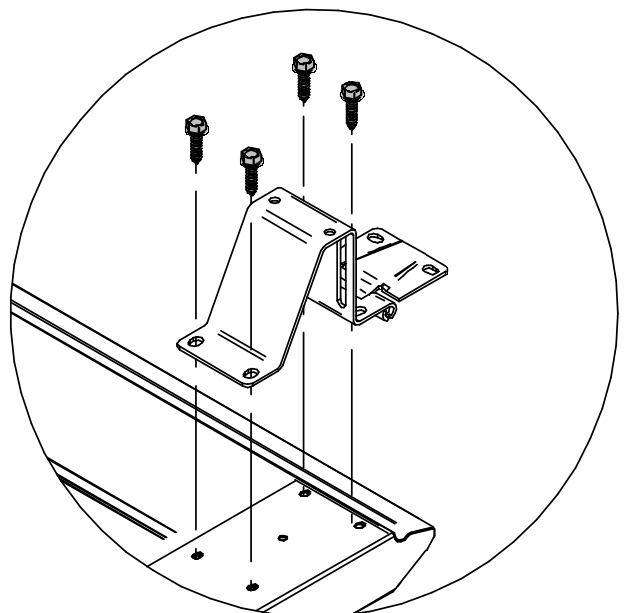
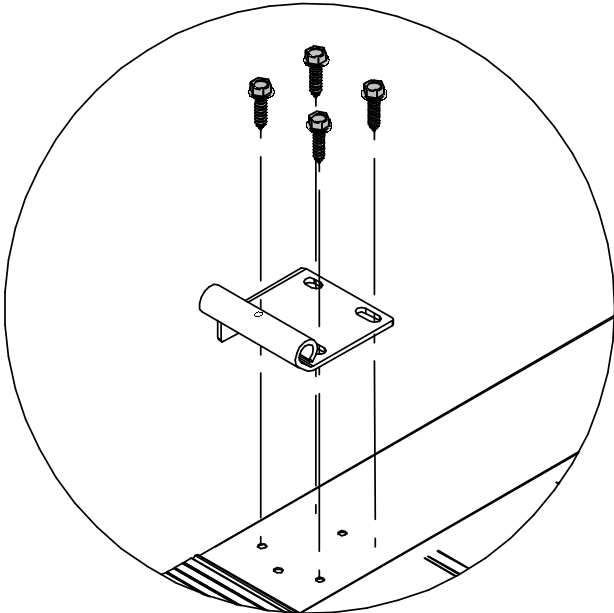
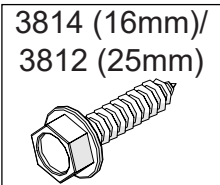
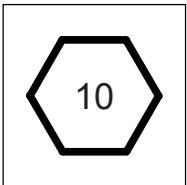
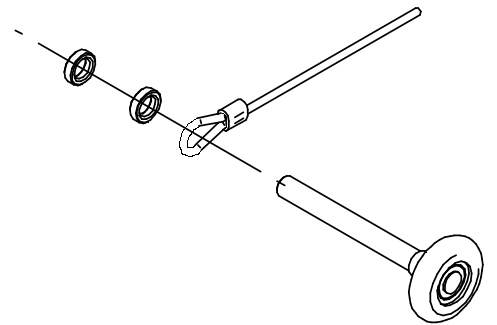
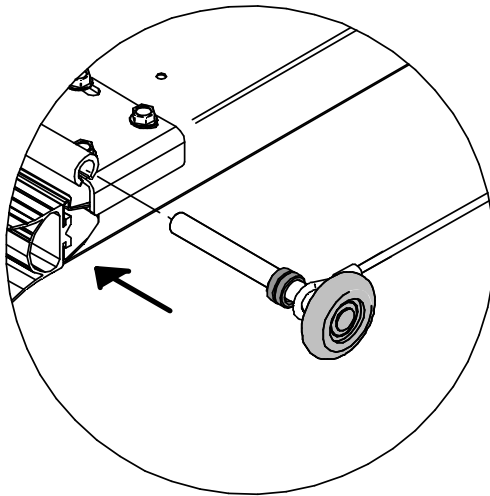
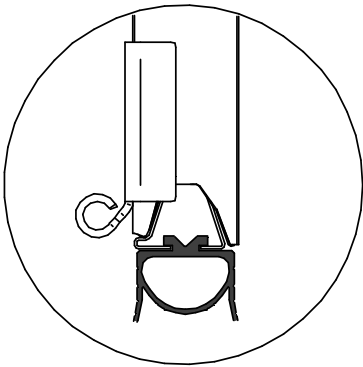
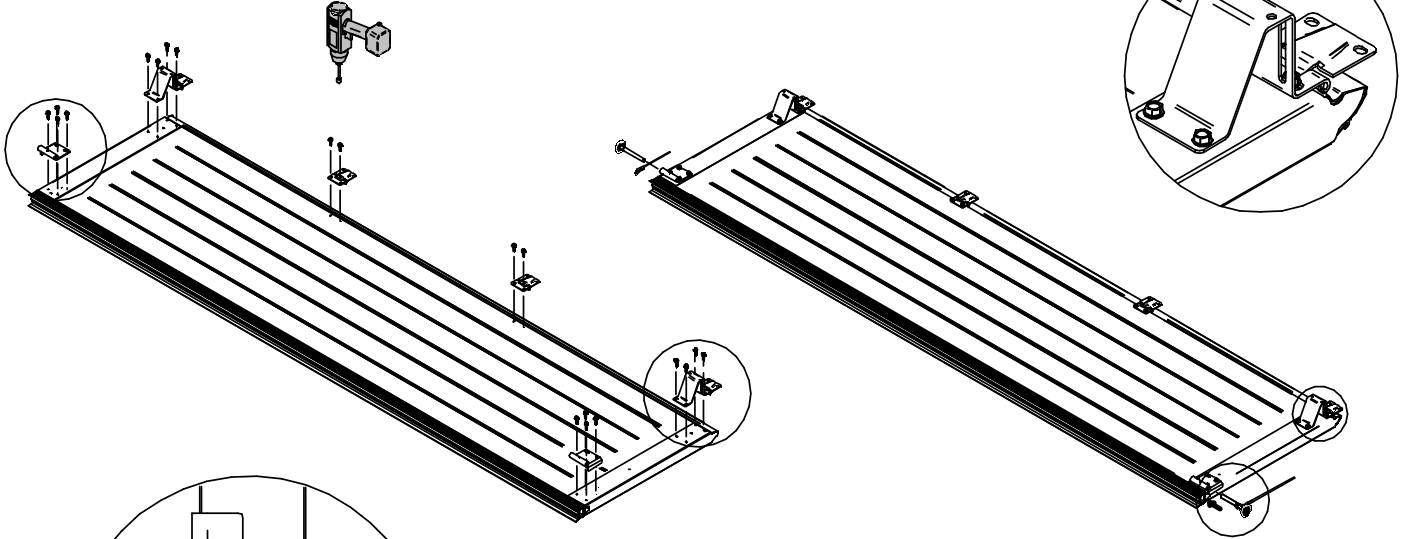
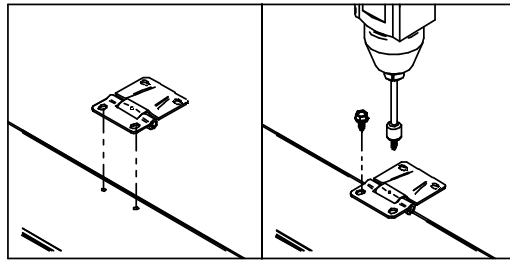
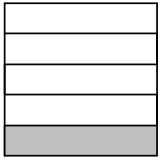


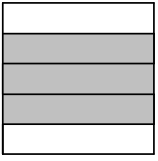
3



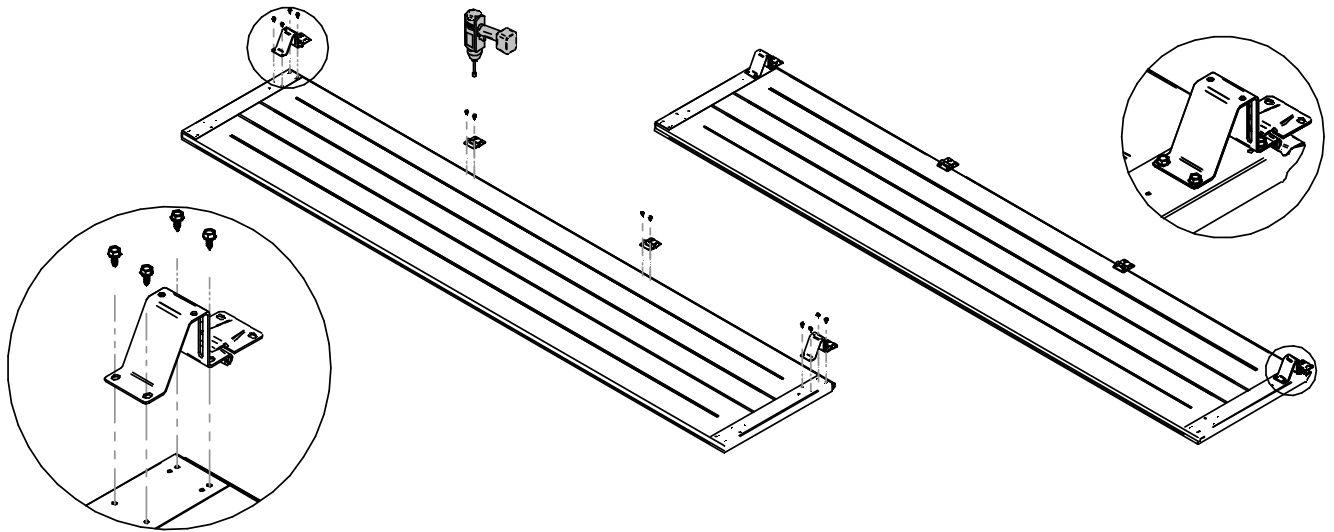
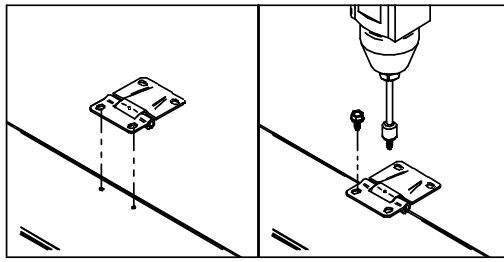
2



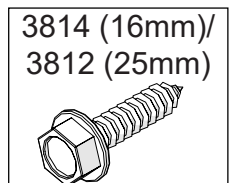
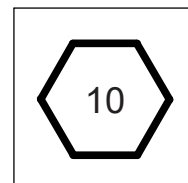
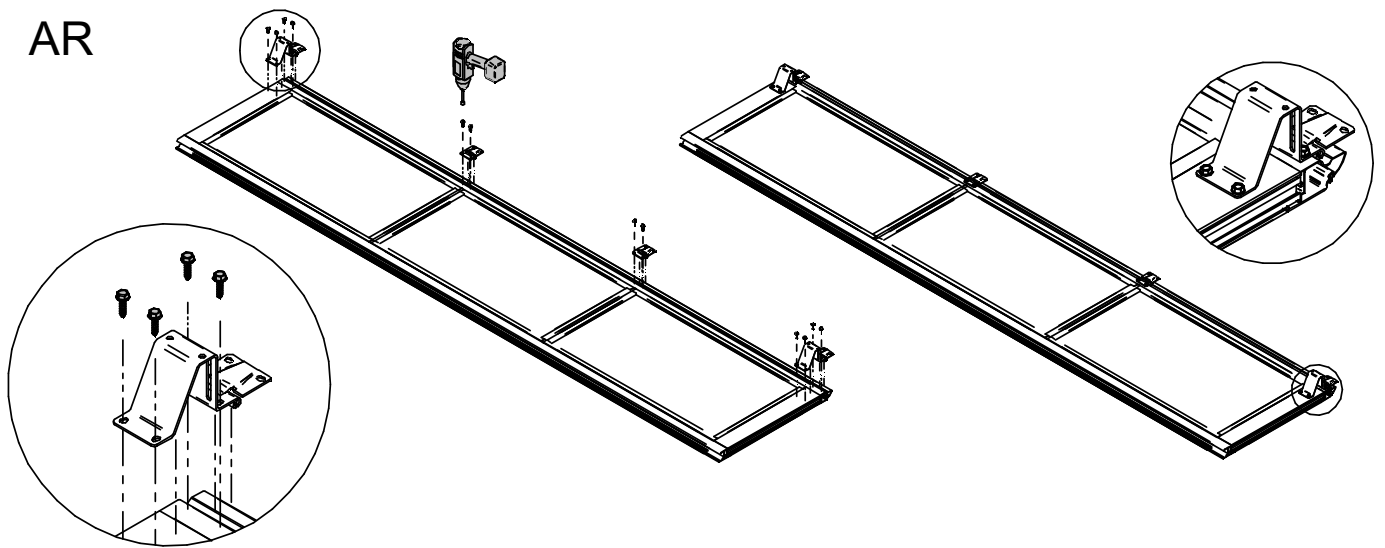


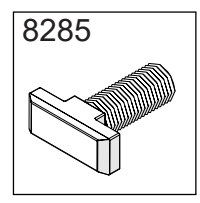
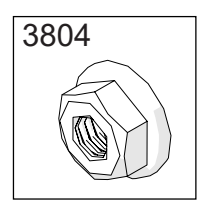
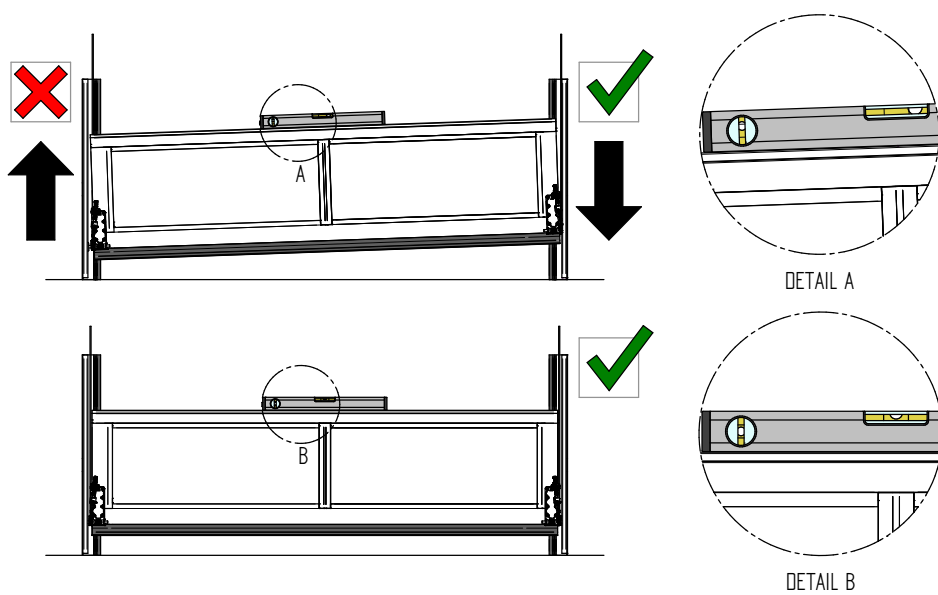
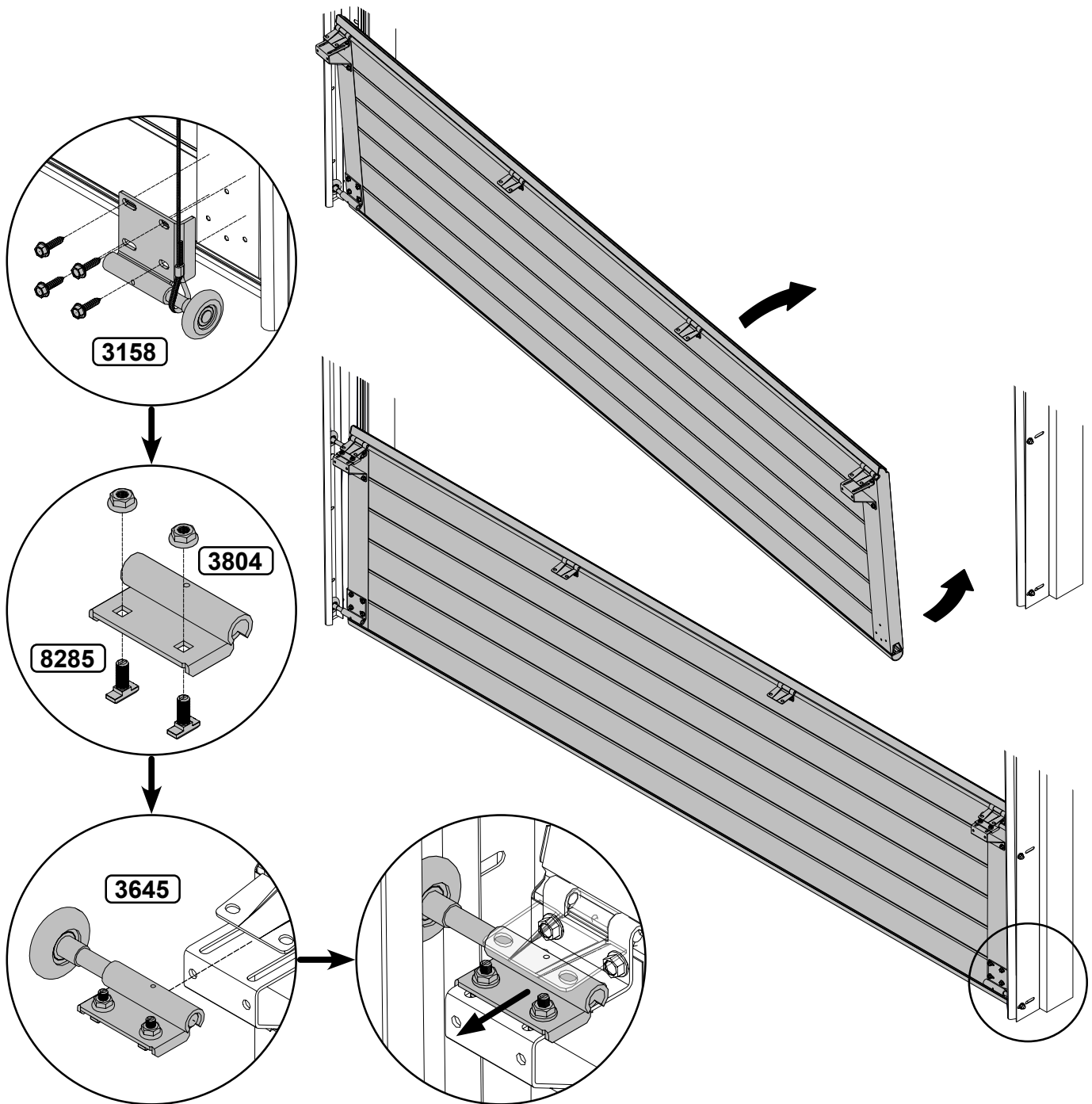


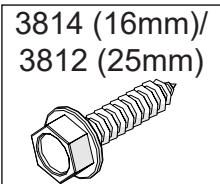
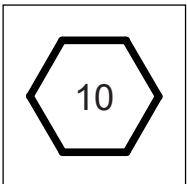
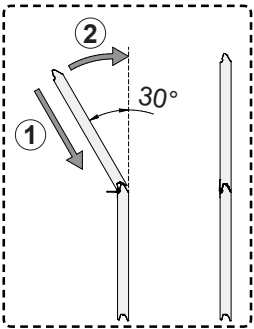
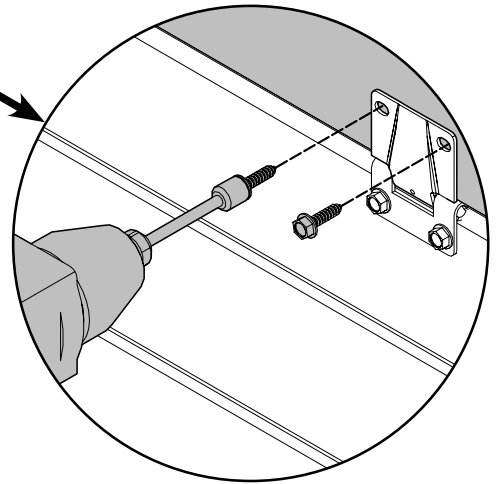
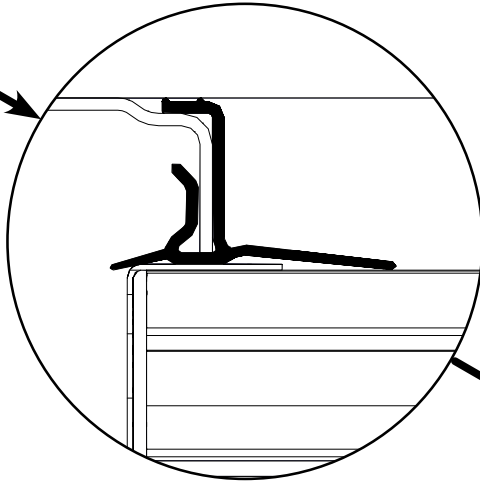
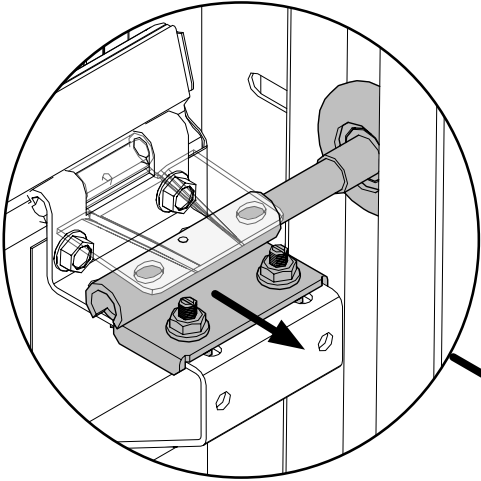
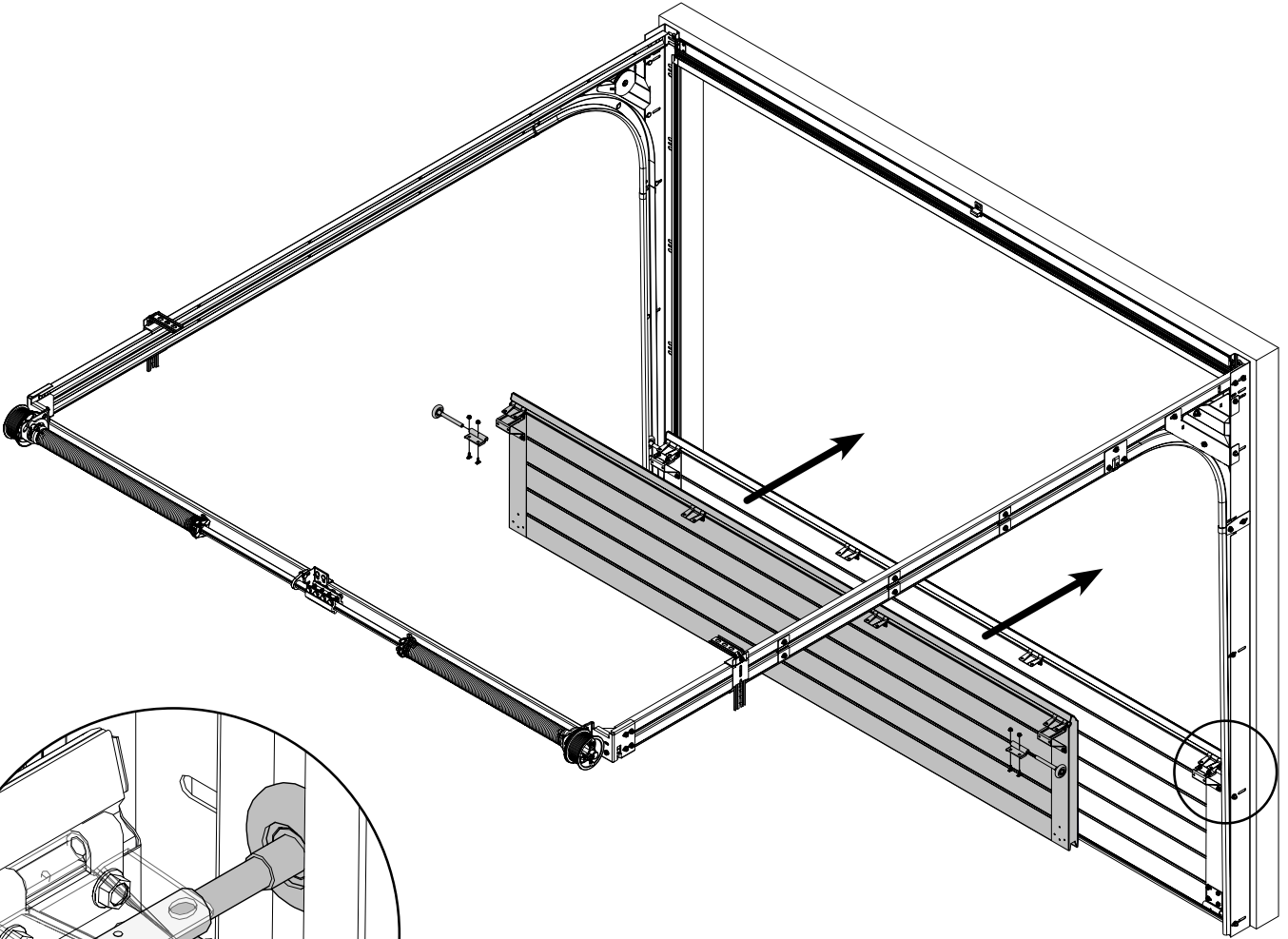
ST

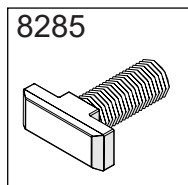
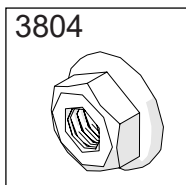
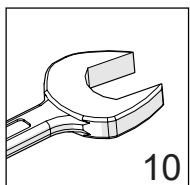
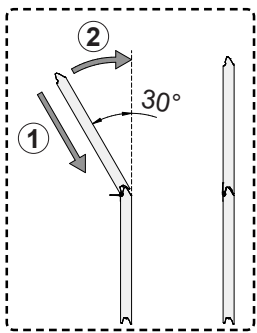
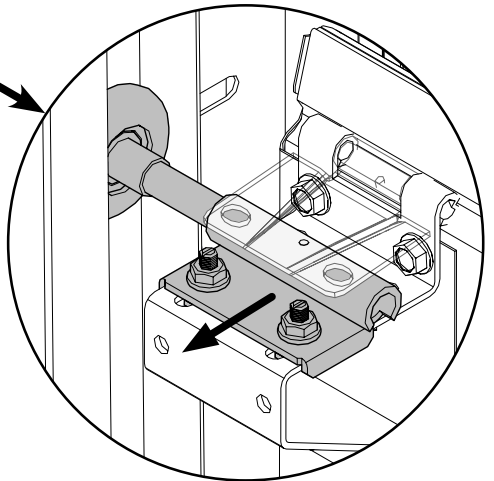
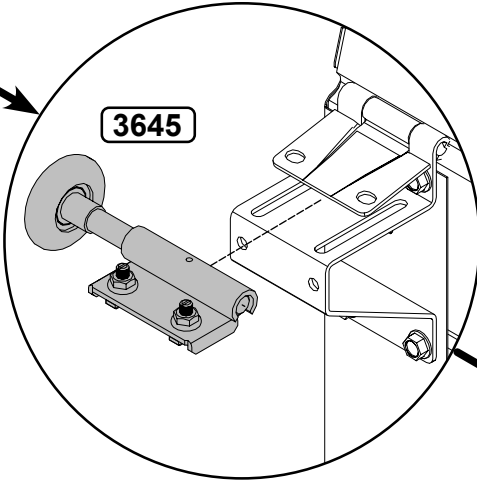
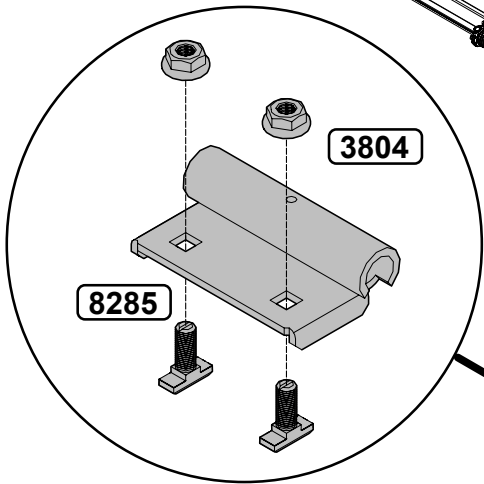
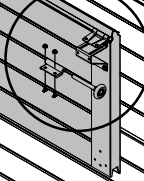
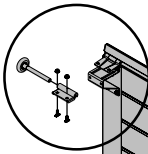
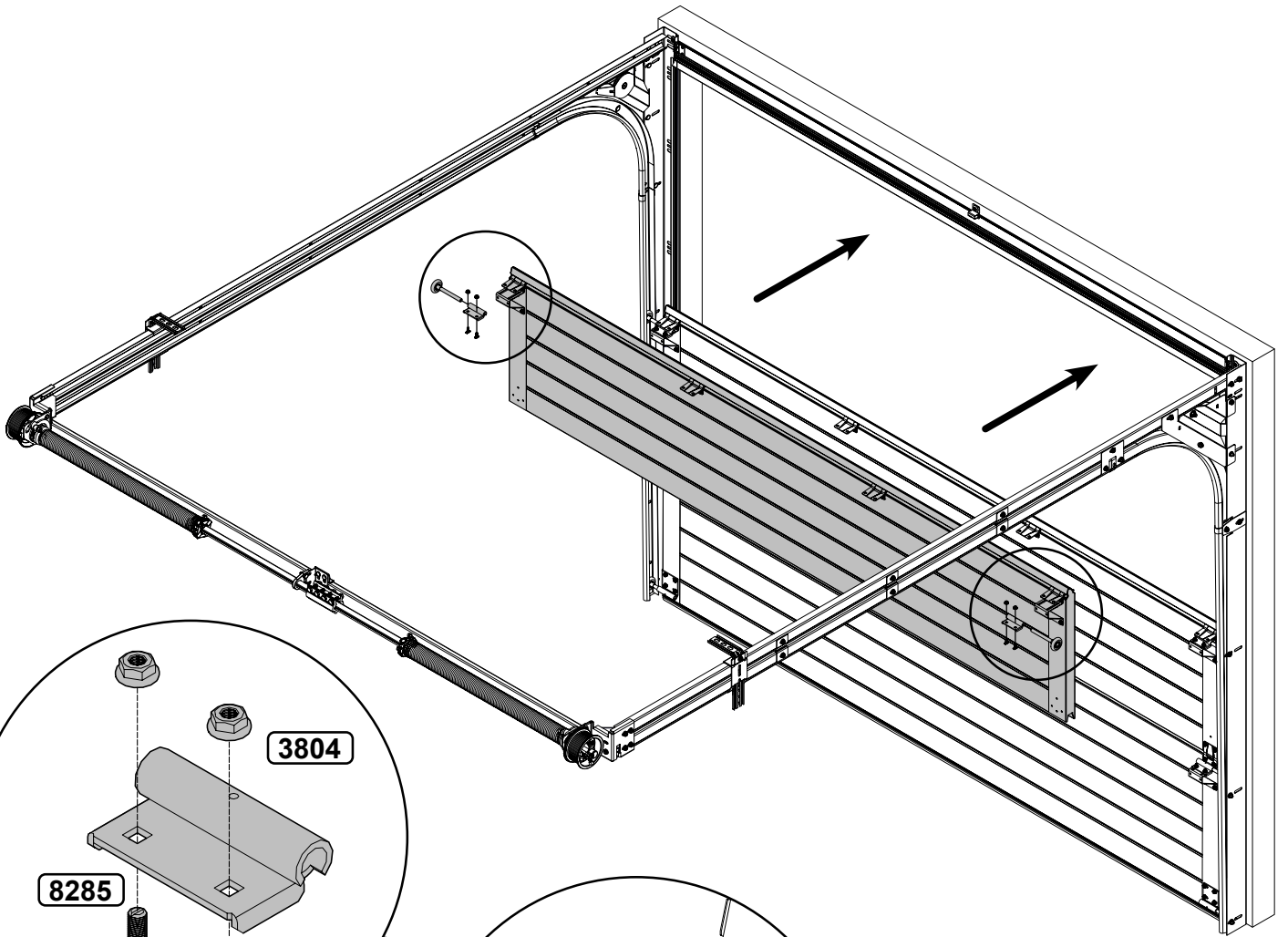


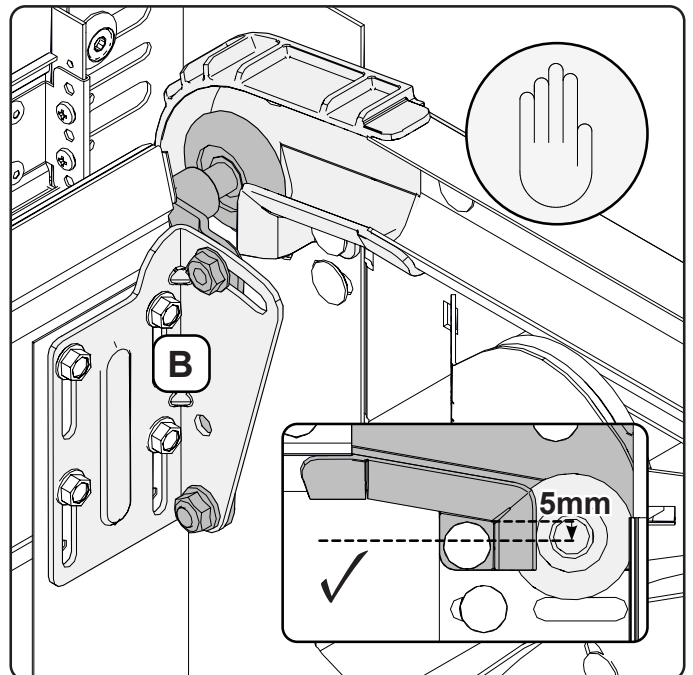
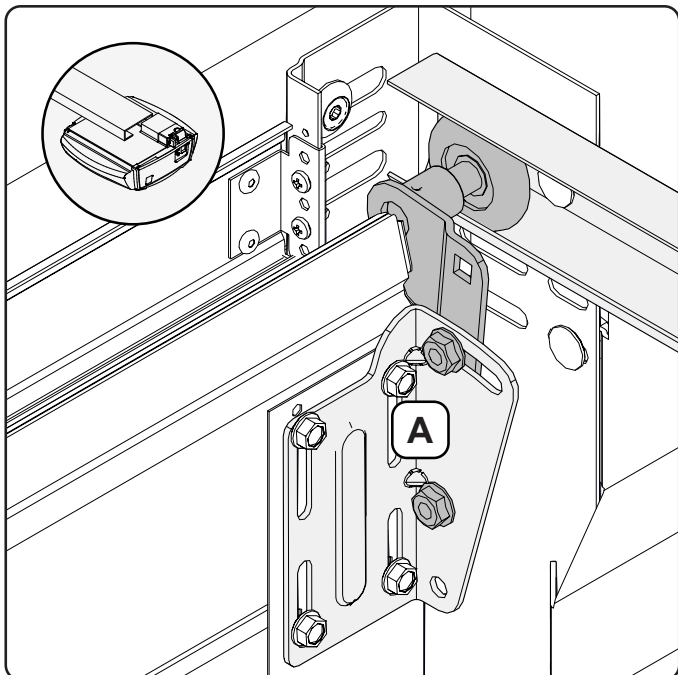
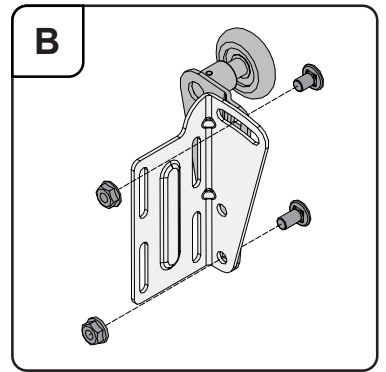
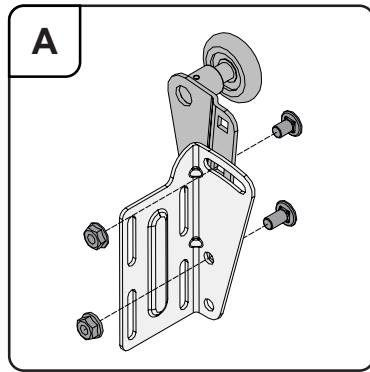
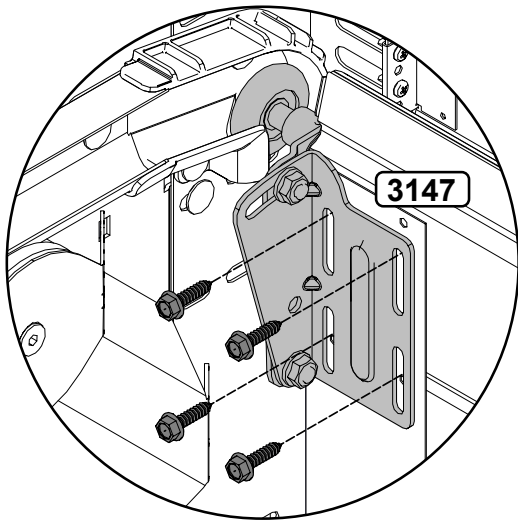
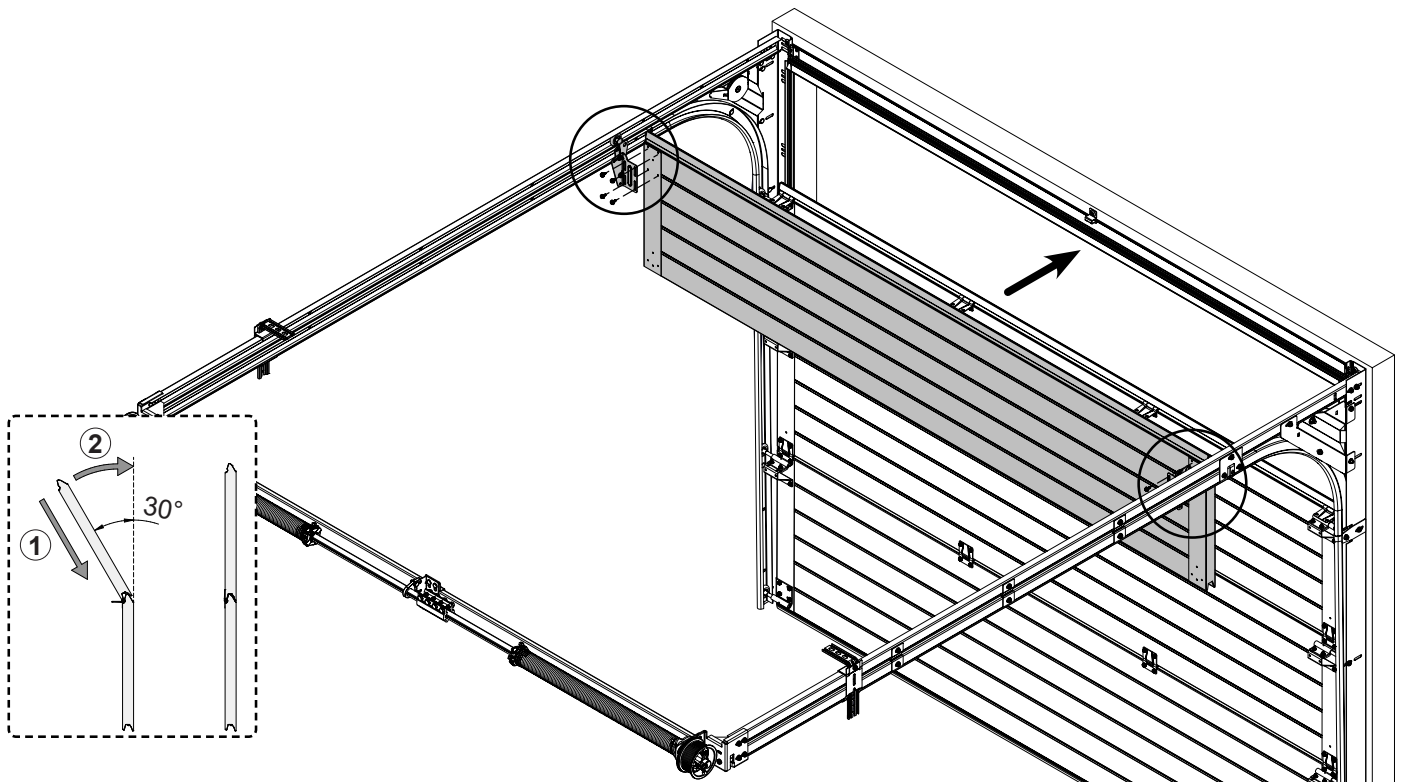
AR

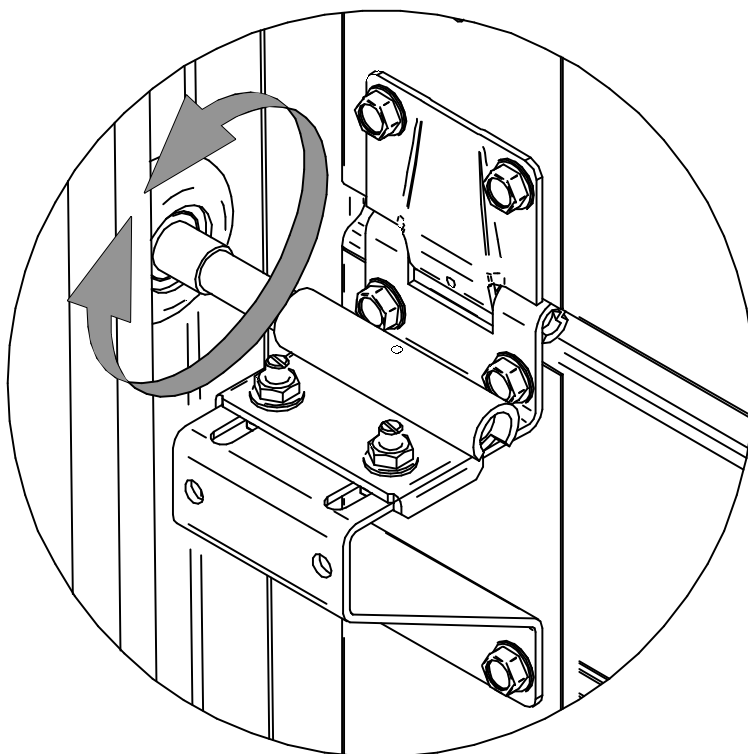
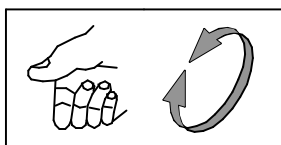
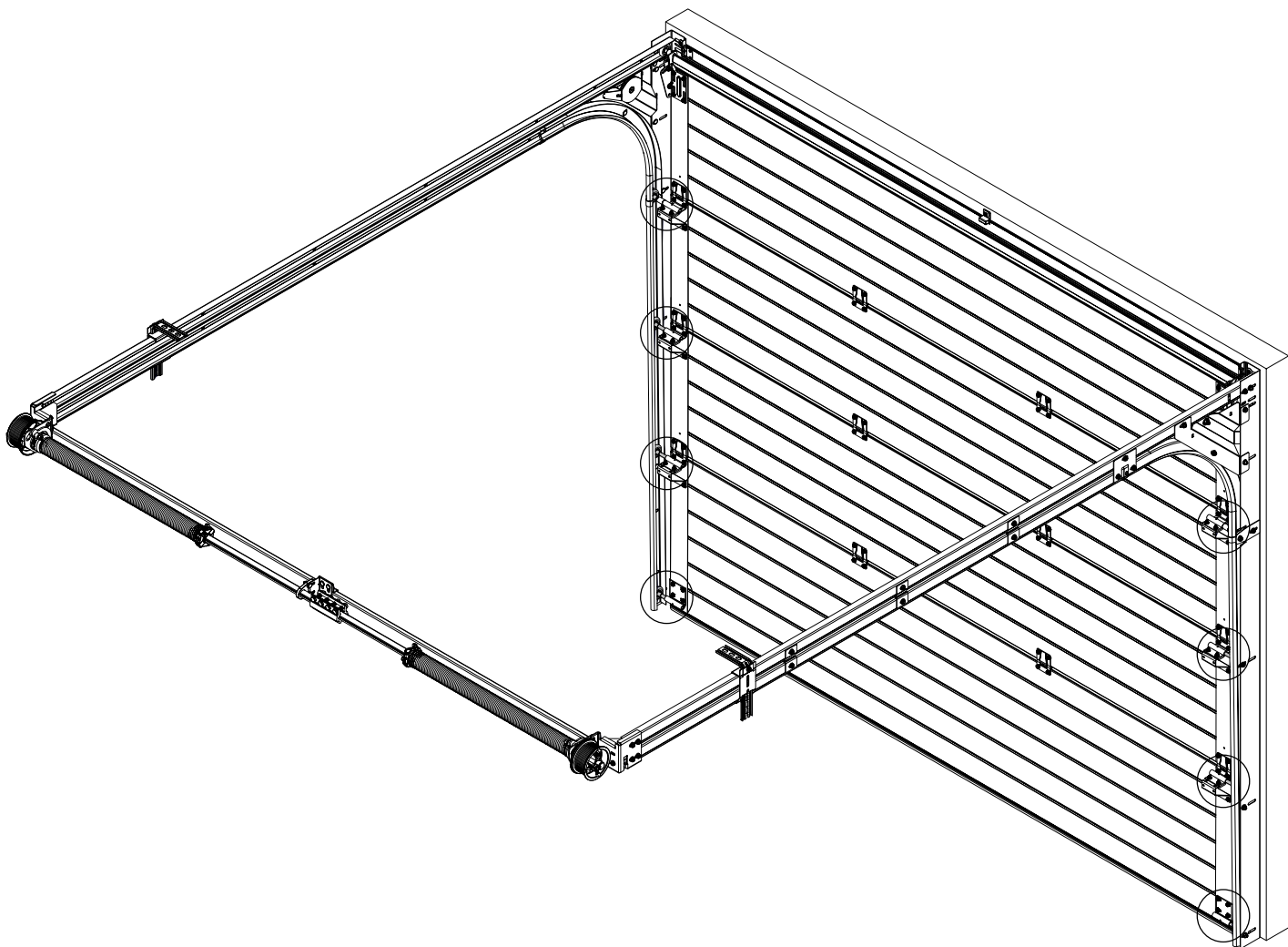


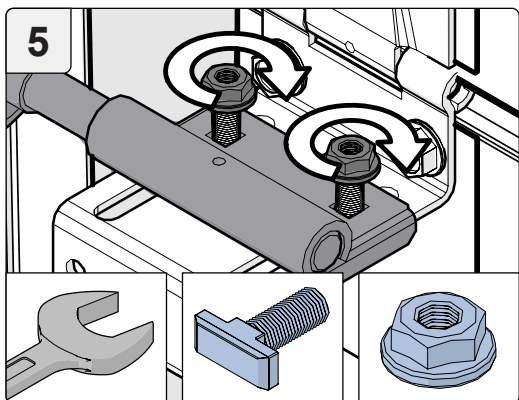
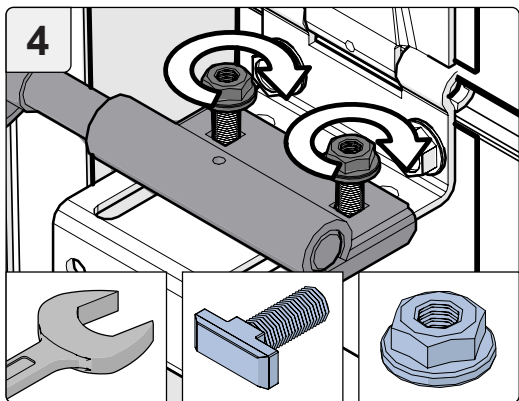
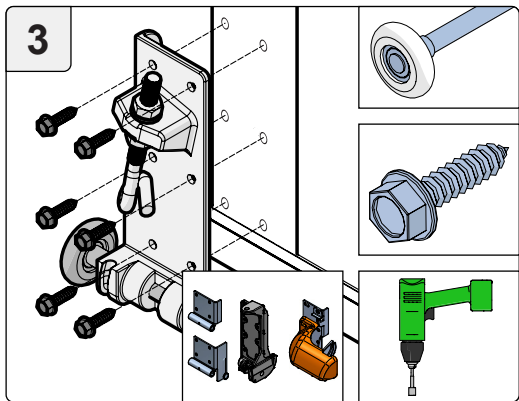
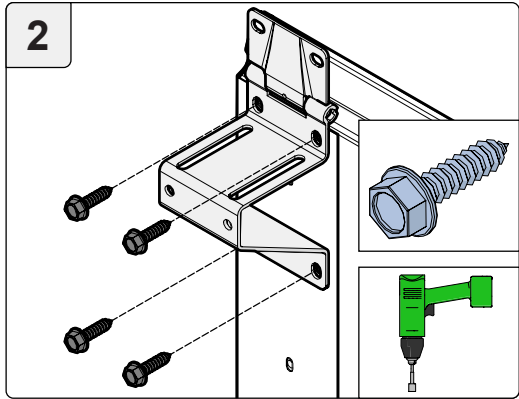
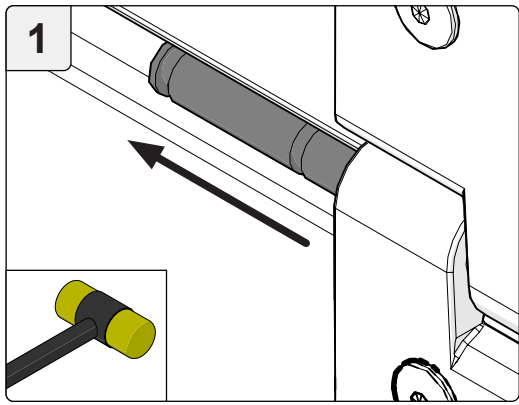




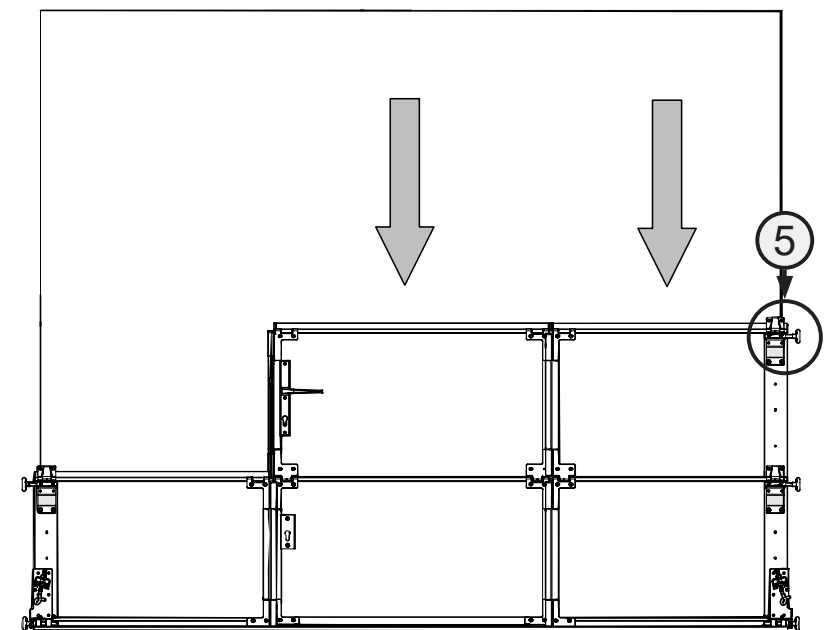
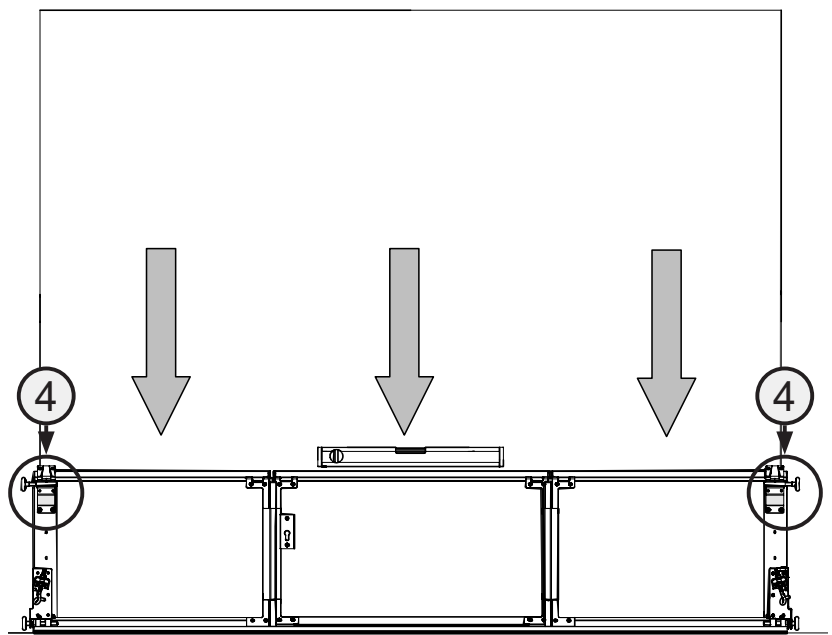
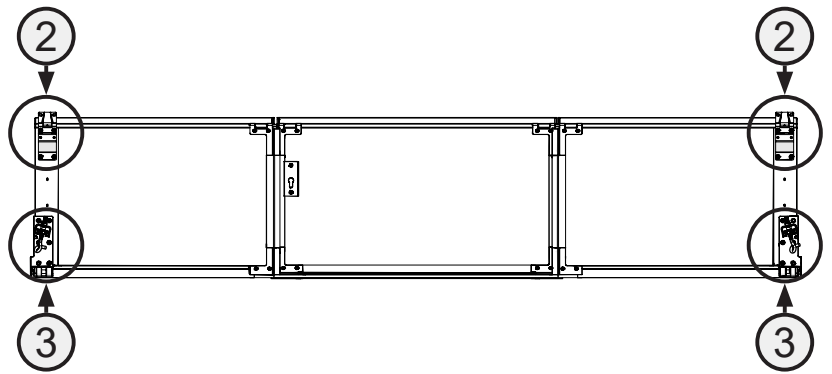


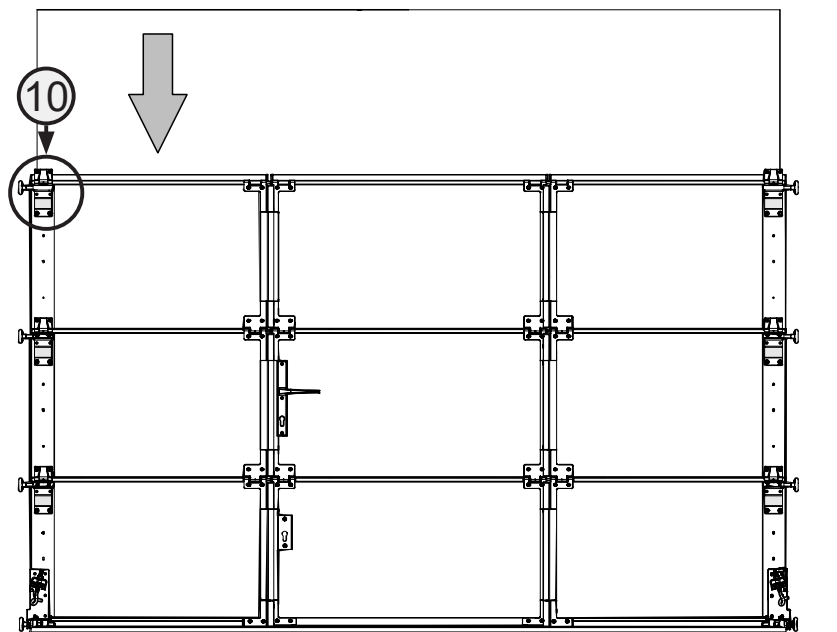
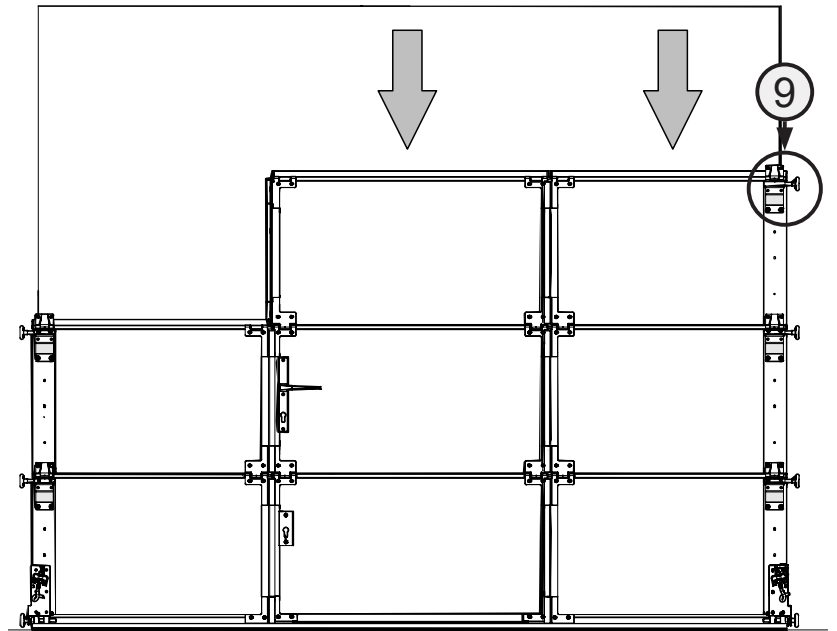
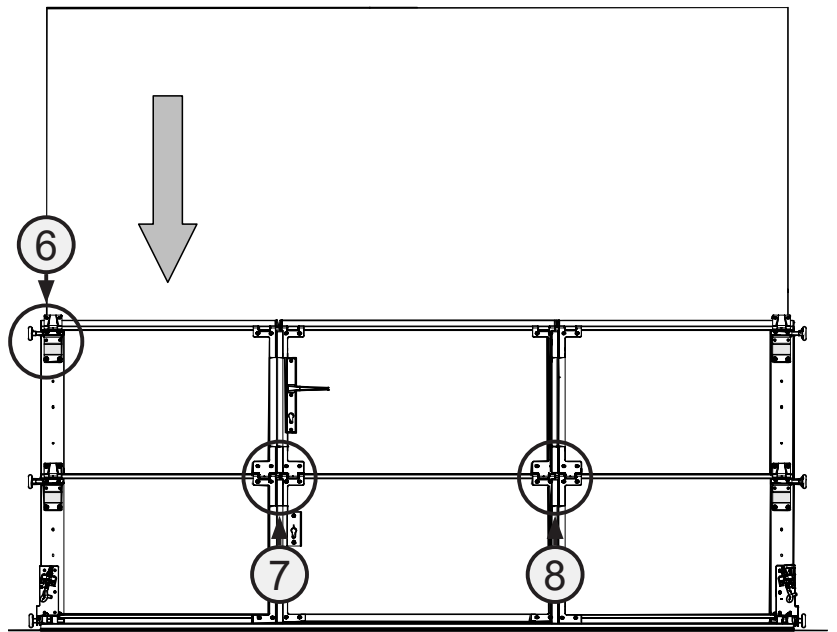
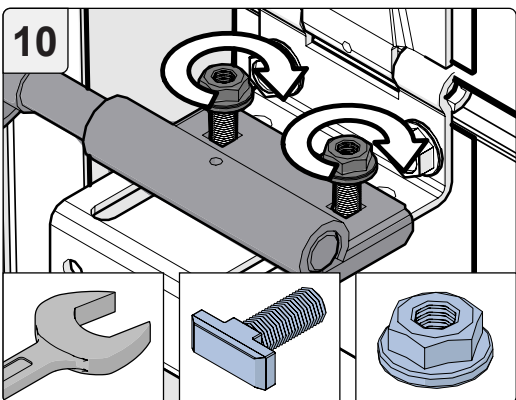
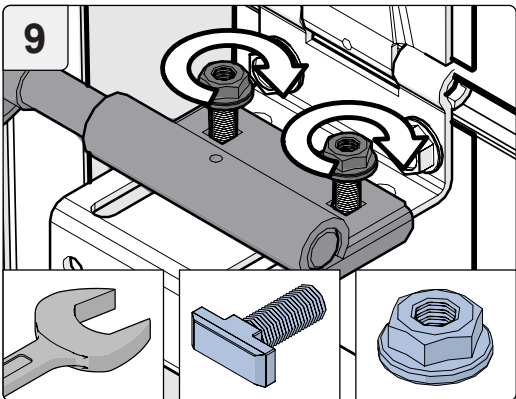
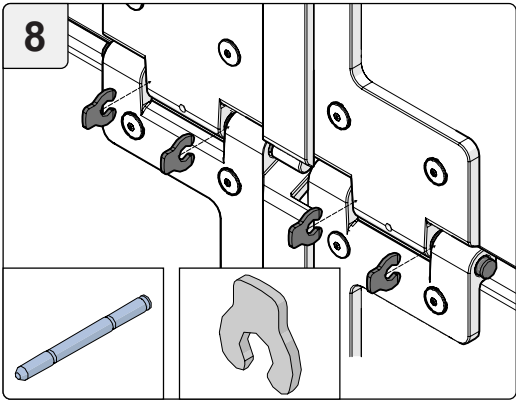
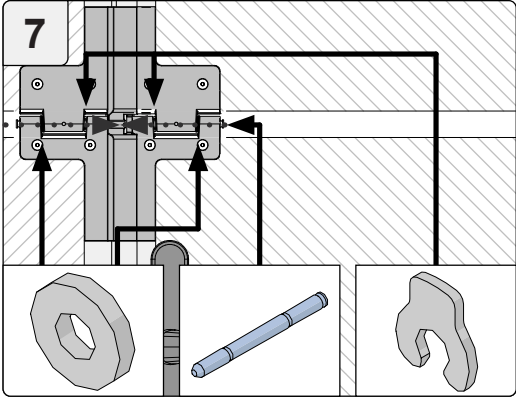
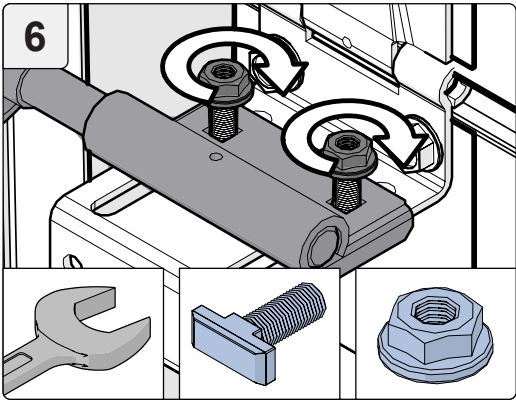


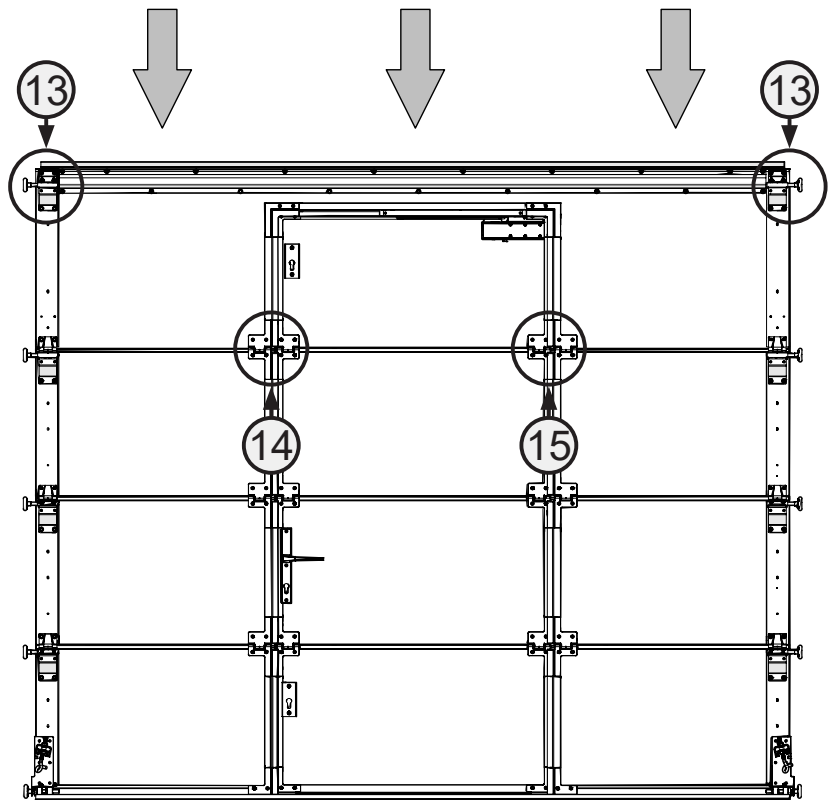
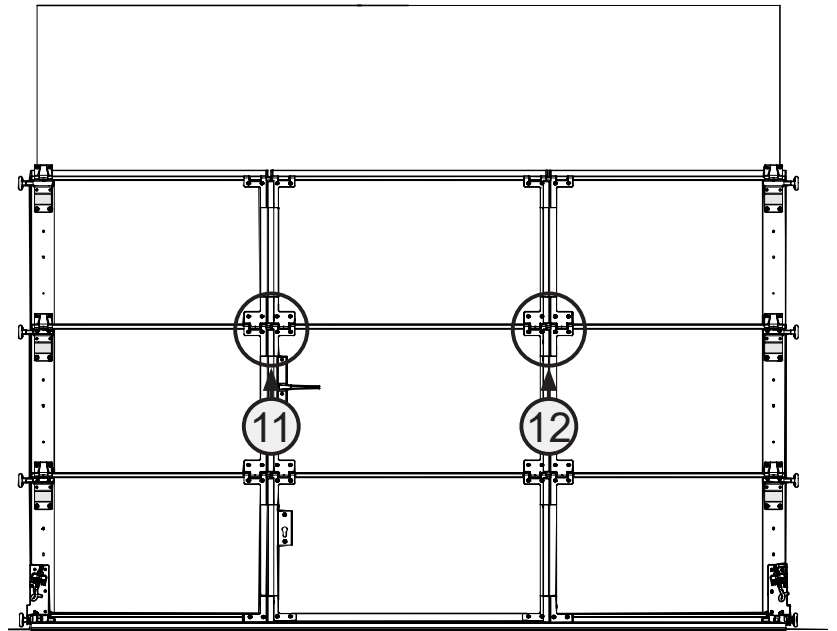
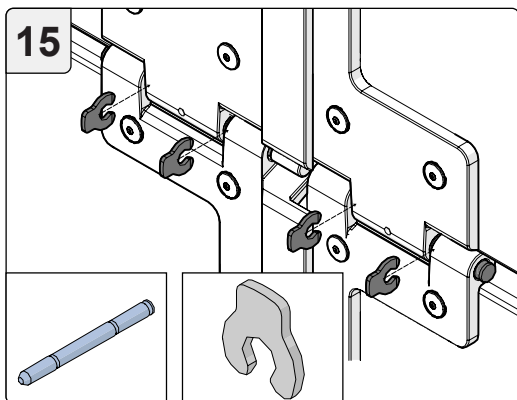
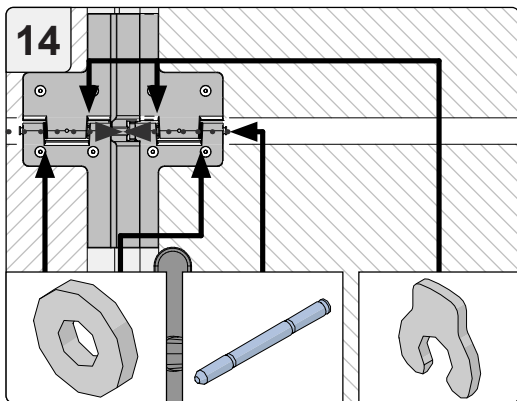
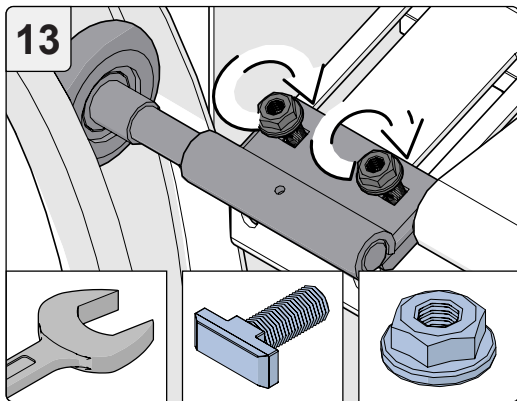
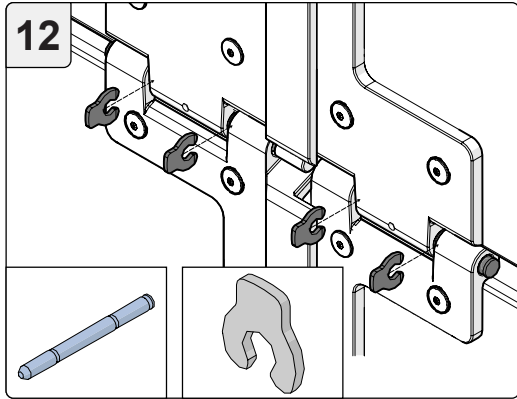
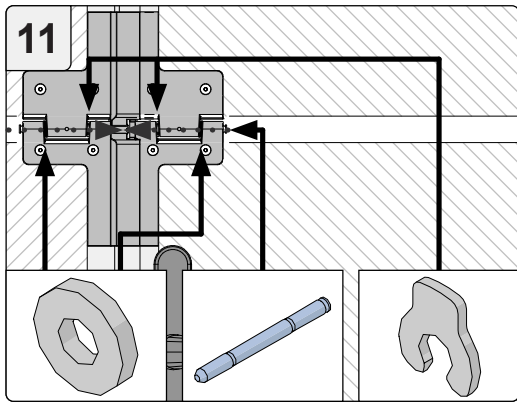


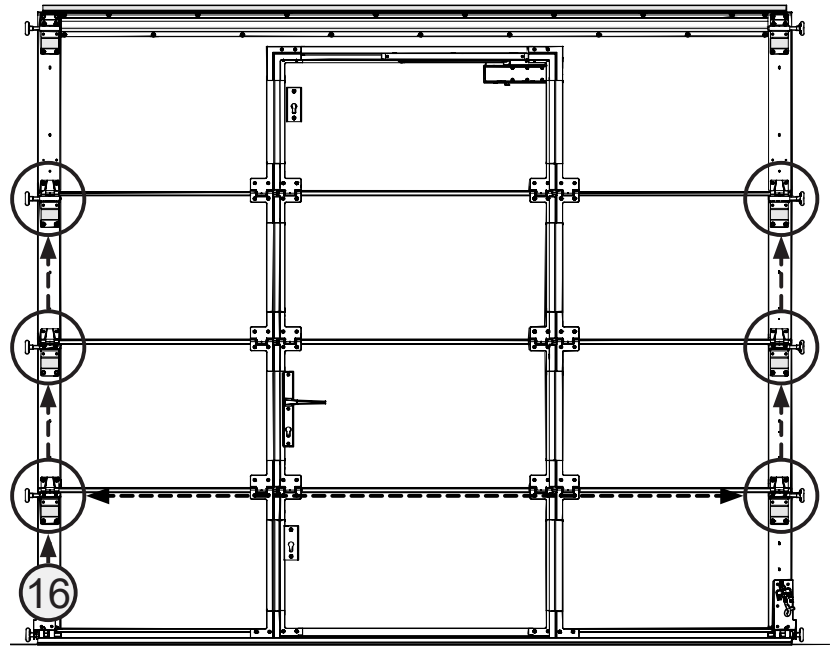
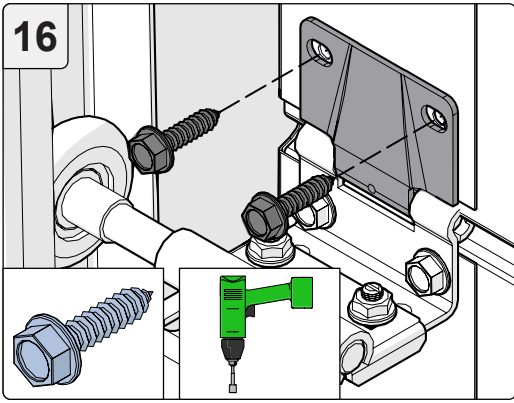


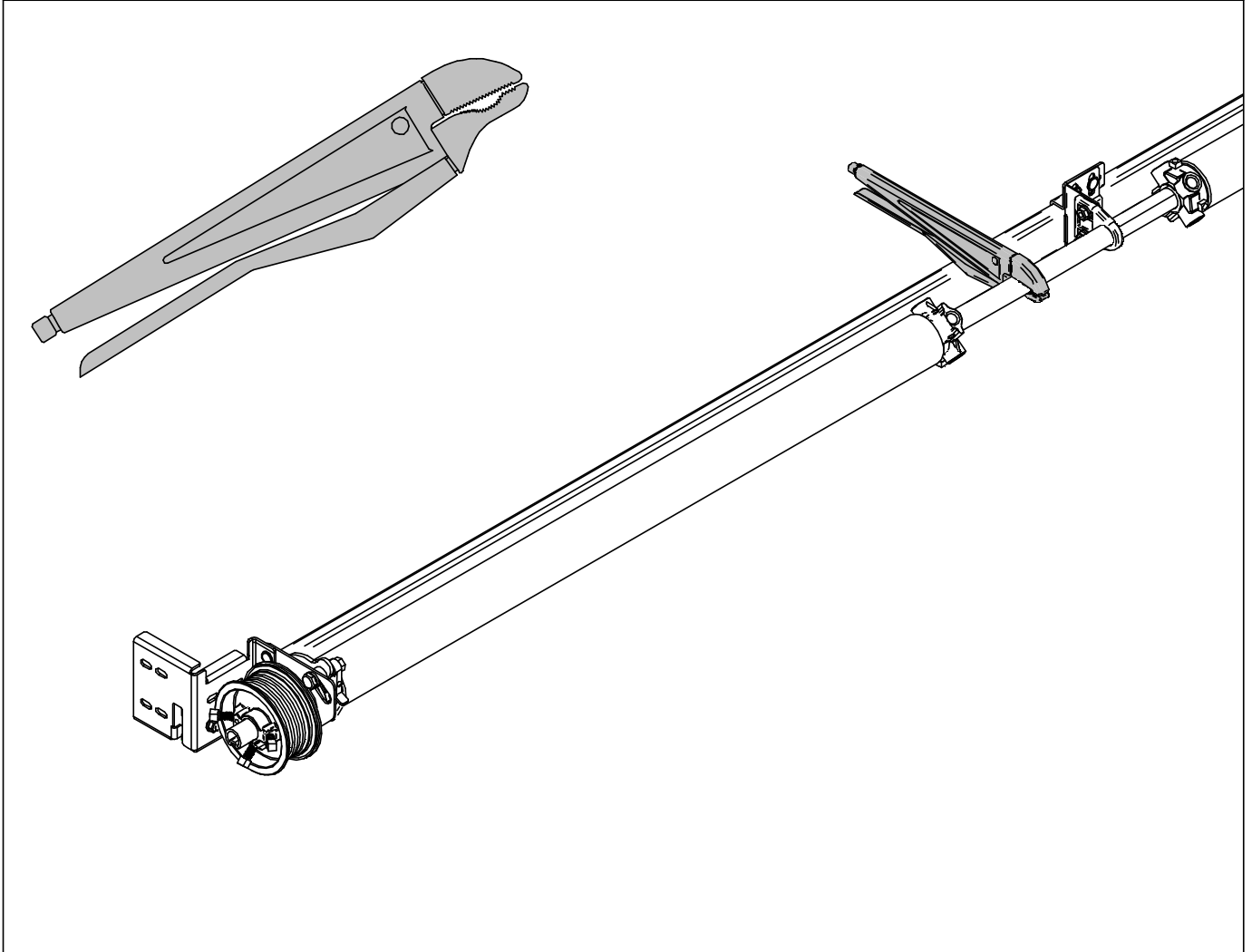
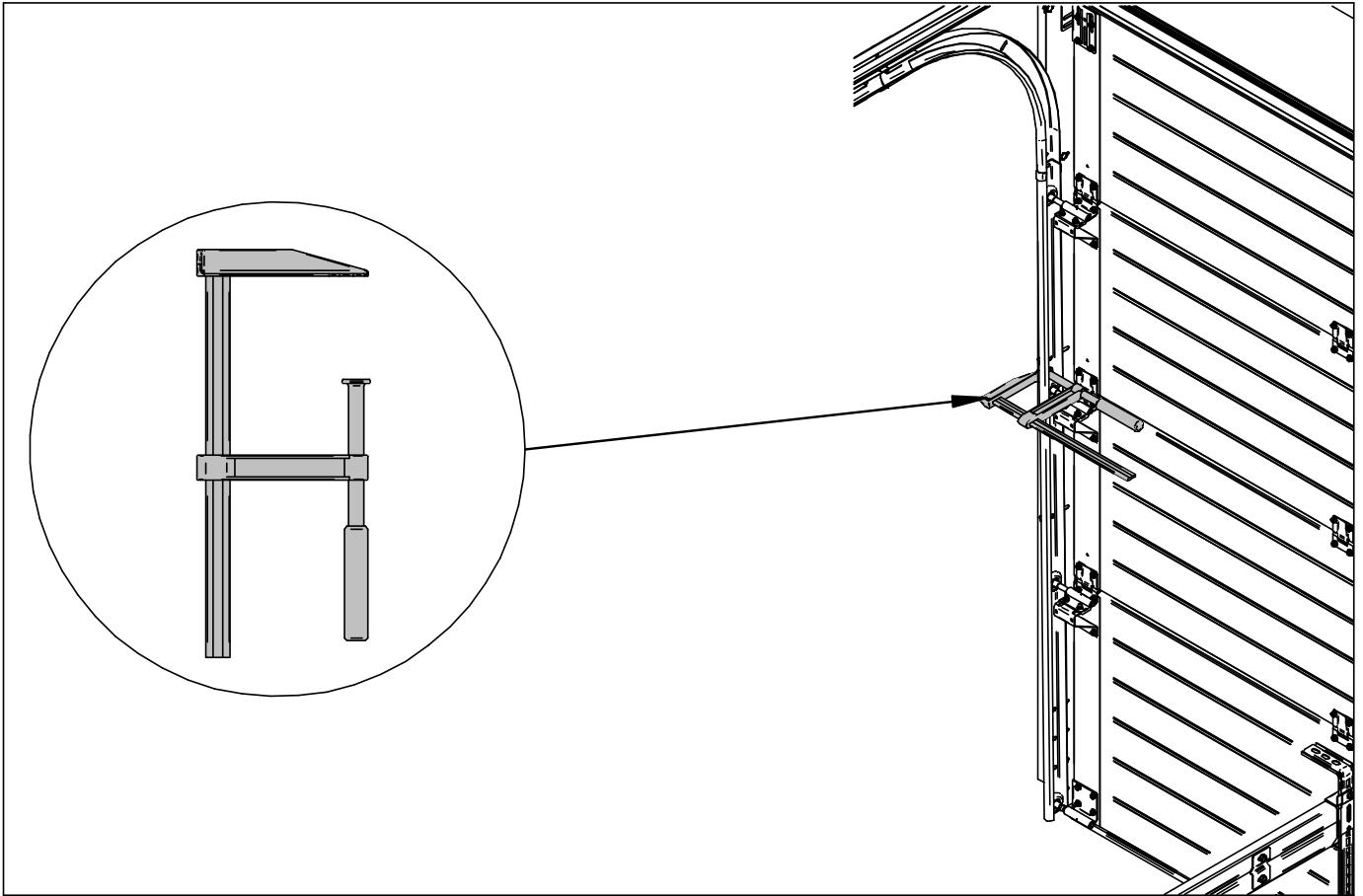
OPTION

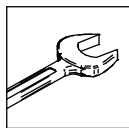
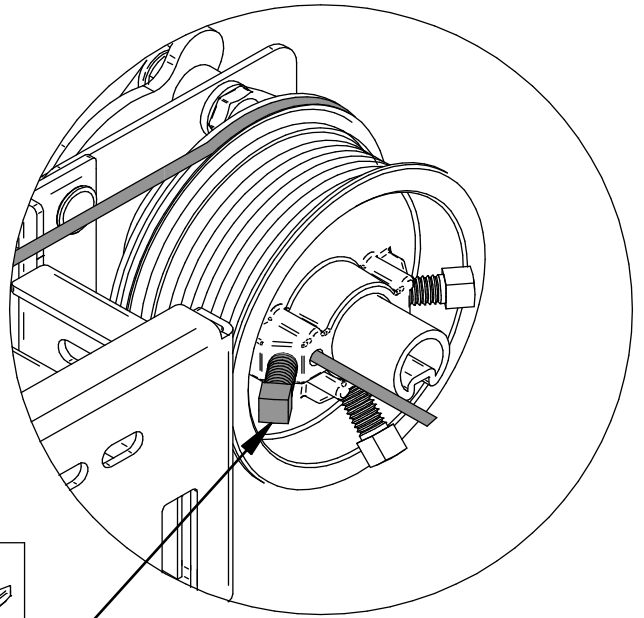
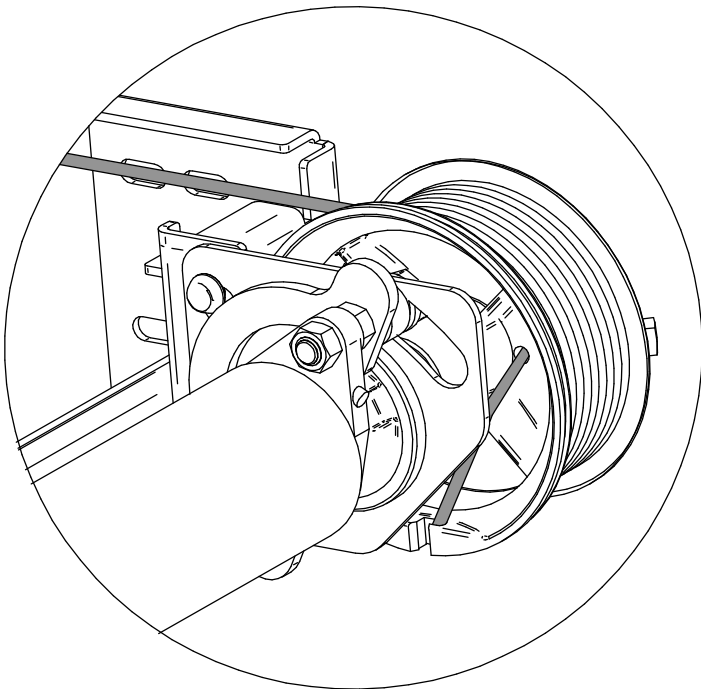
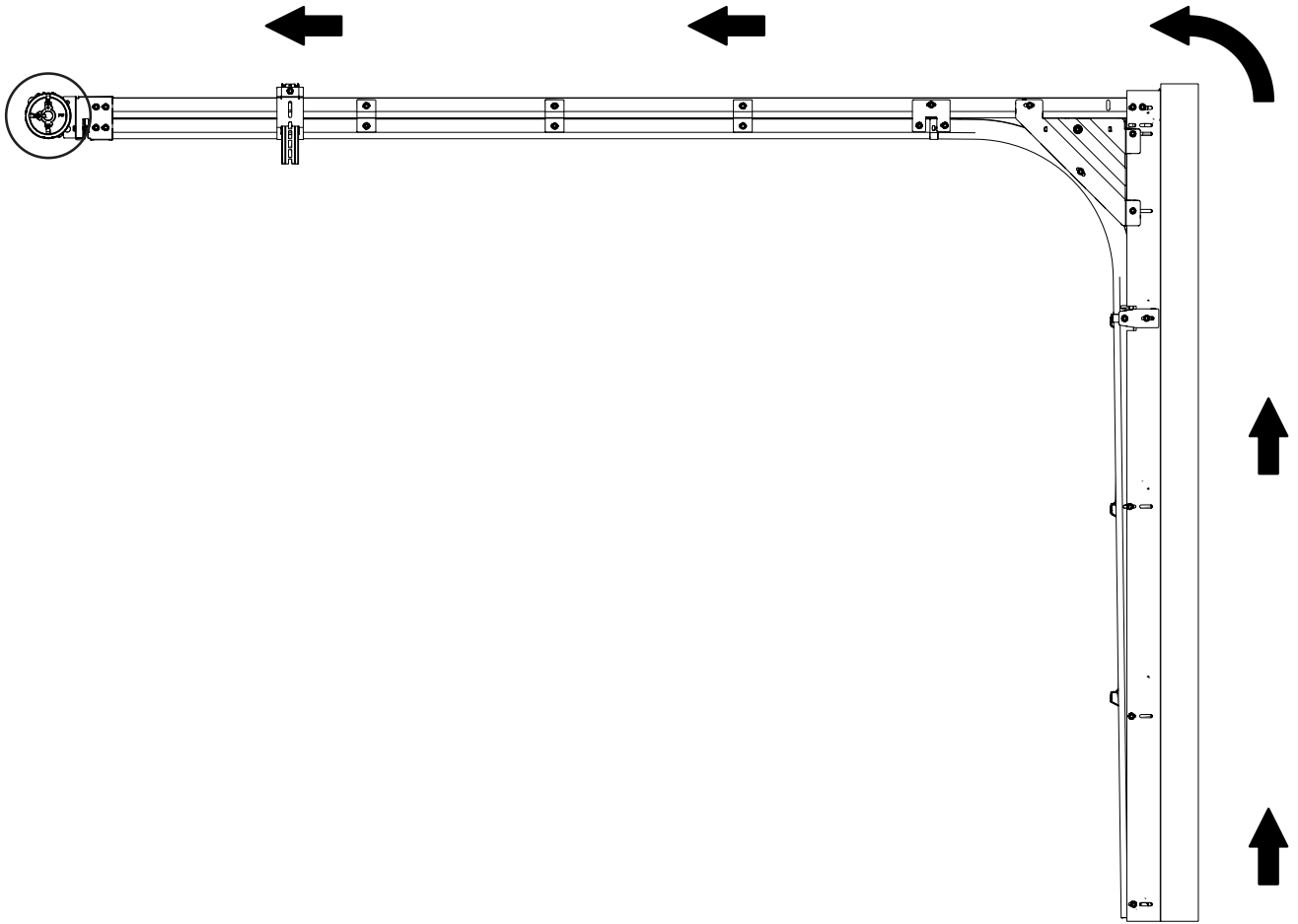












Turns x 360°



Hardware

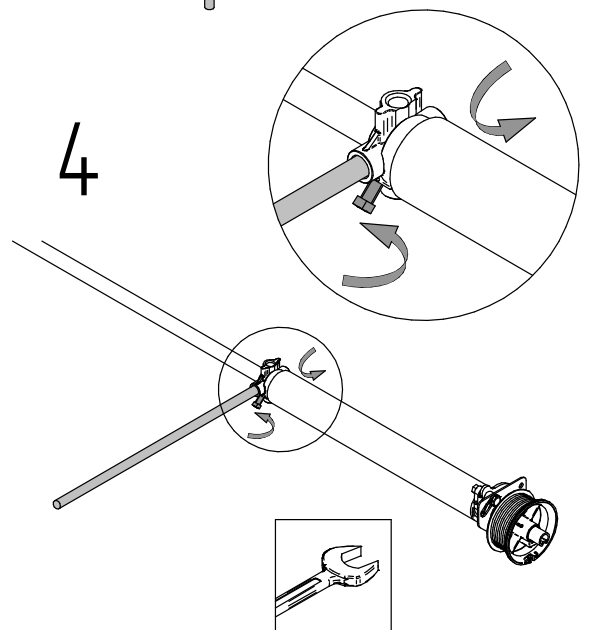
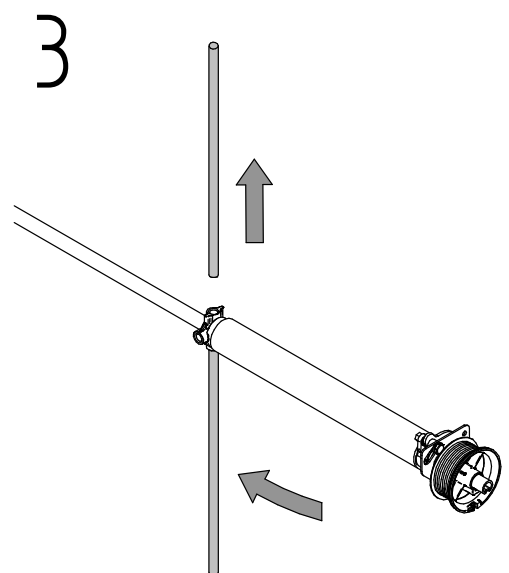
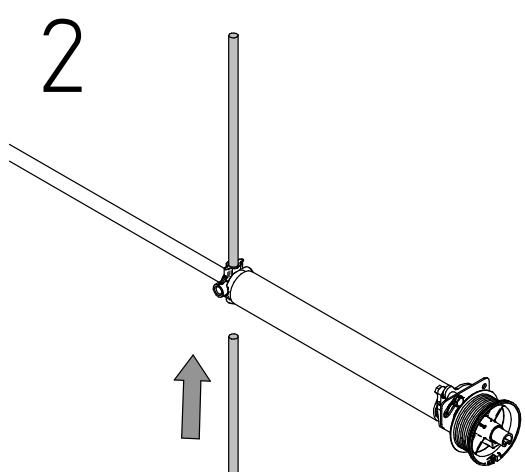
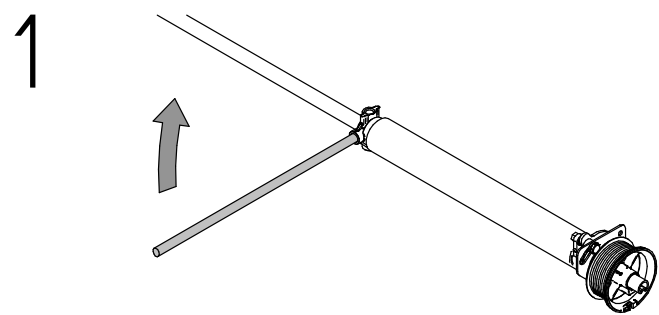
Customer Ref.:
Our reference:

Qty	Doortype	DLW	DLH	Sections	Fields	Assembly	Weight	Turns
		x						10.1

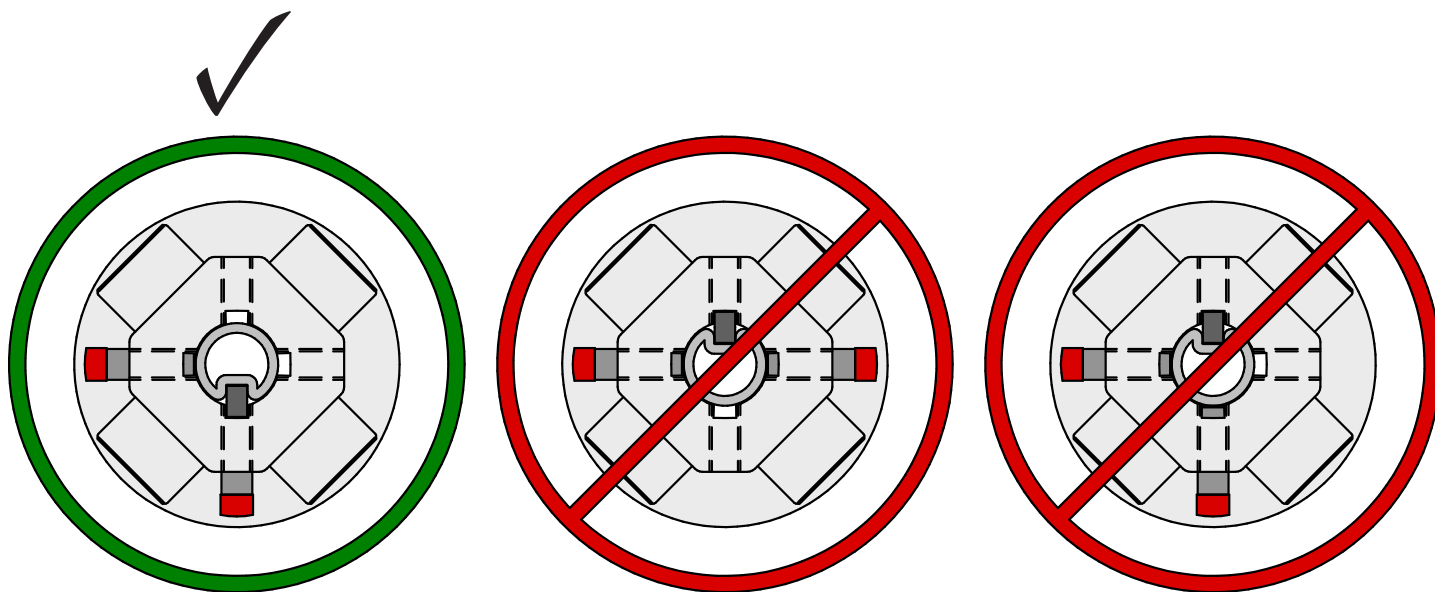
Qty	Unit	Art. num.	Article description	Length
1	piece	0461	Spring break device Residential 1" right Ø 51mm SC	
1	piece	0462	Spring break device Residential 1" left Ø 51mm SC	

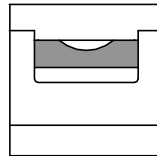
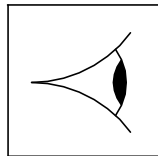
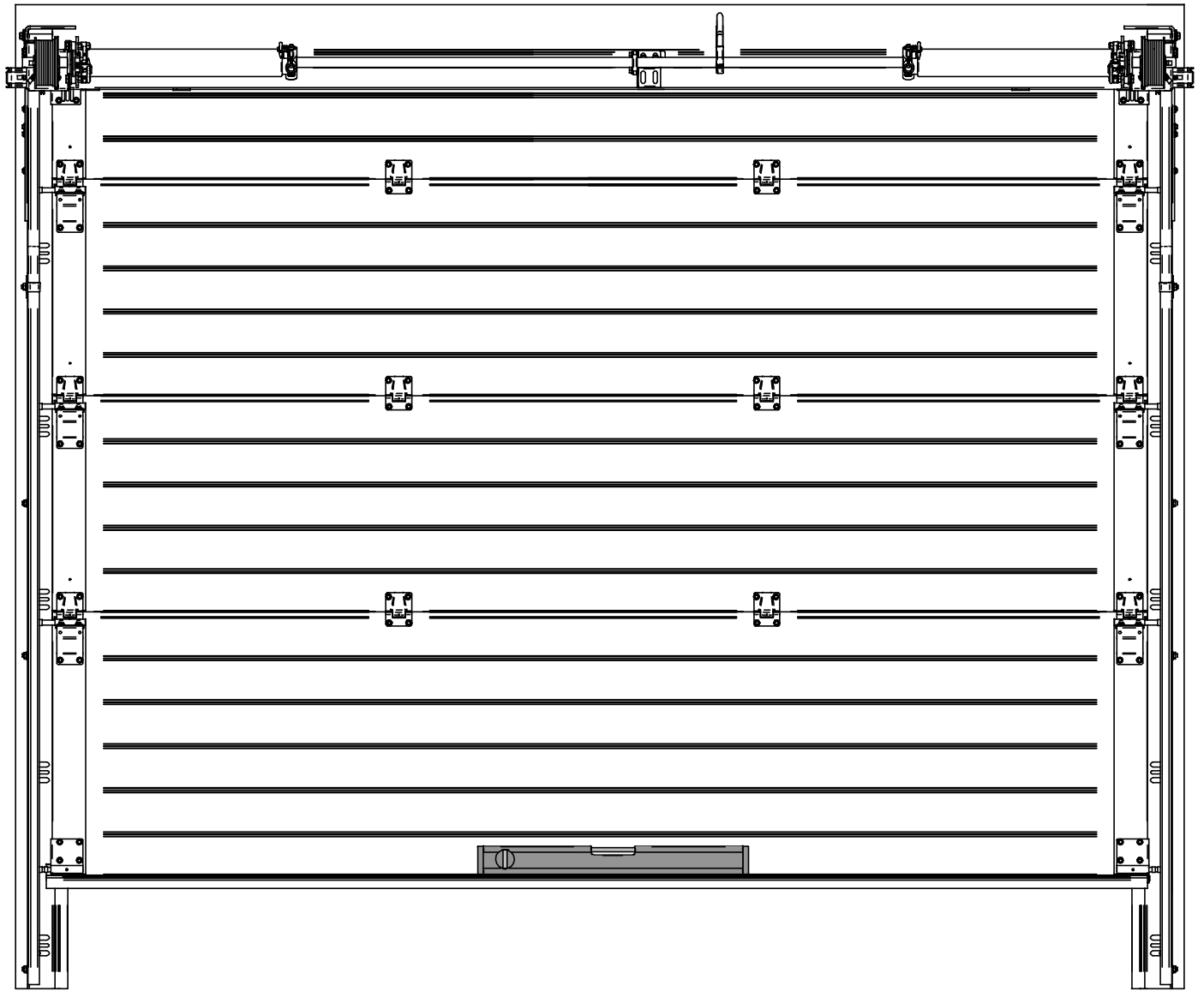
VEER / FEDER / SPRING / RESSORT < 67 mm

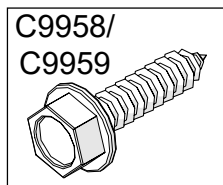
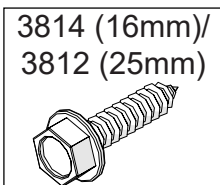
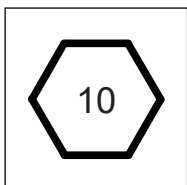
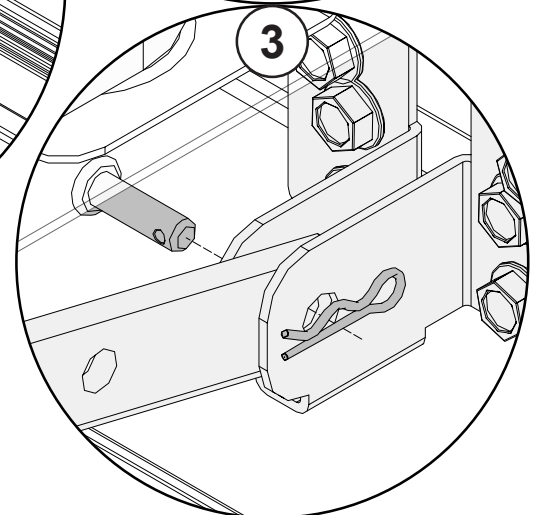
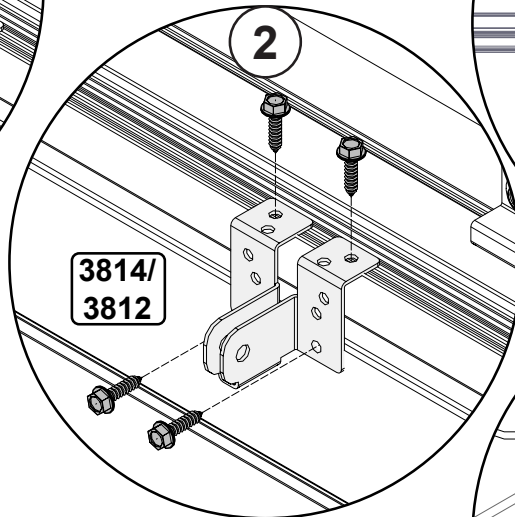
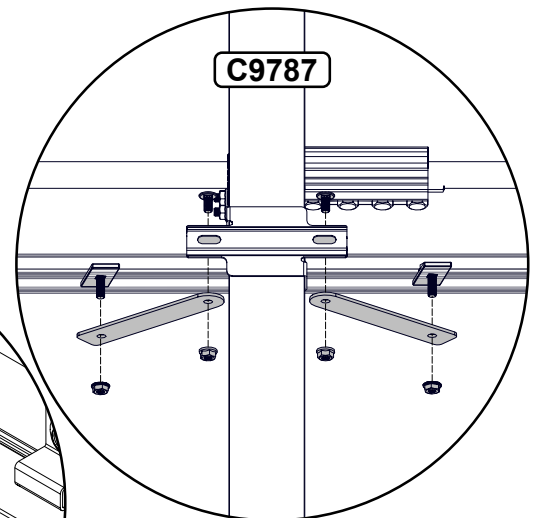
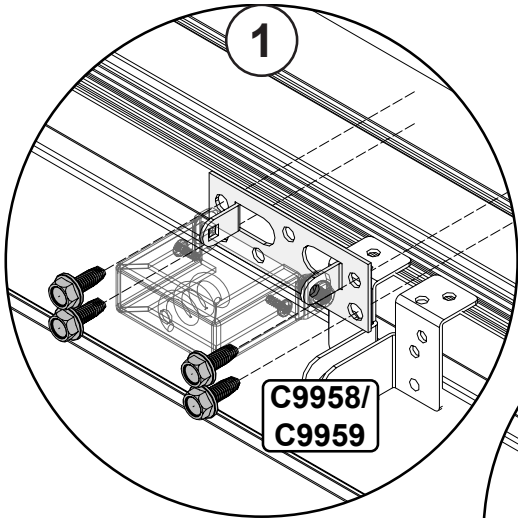
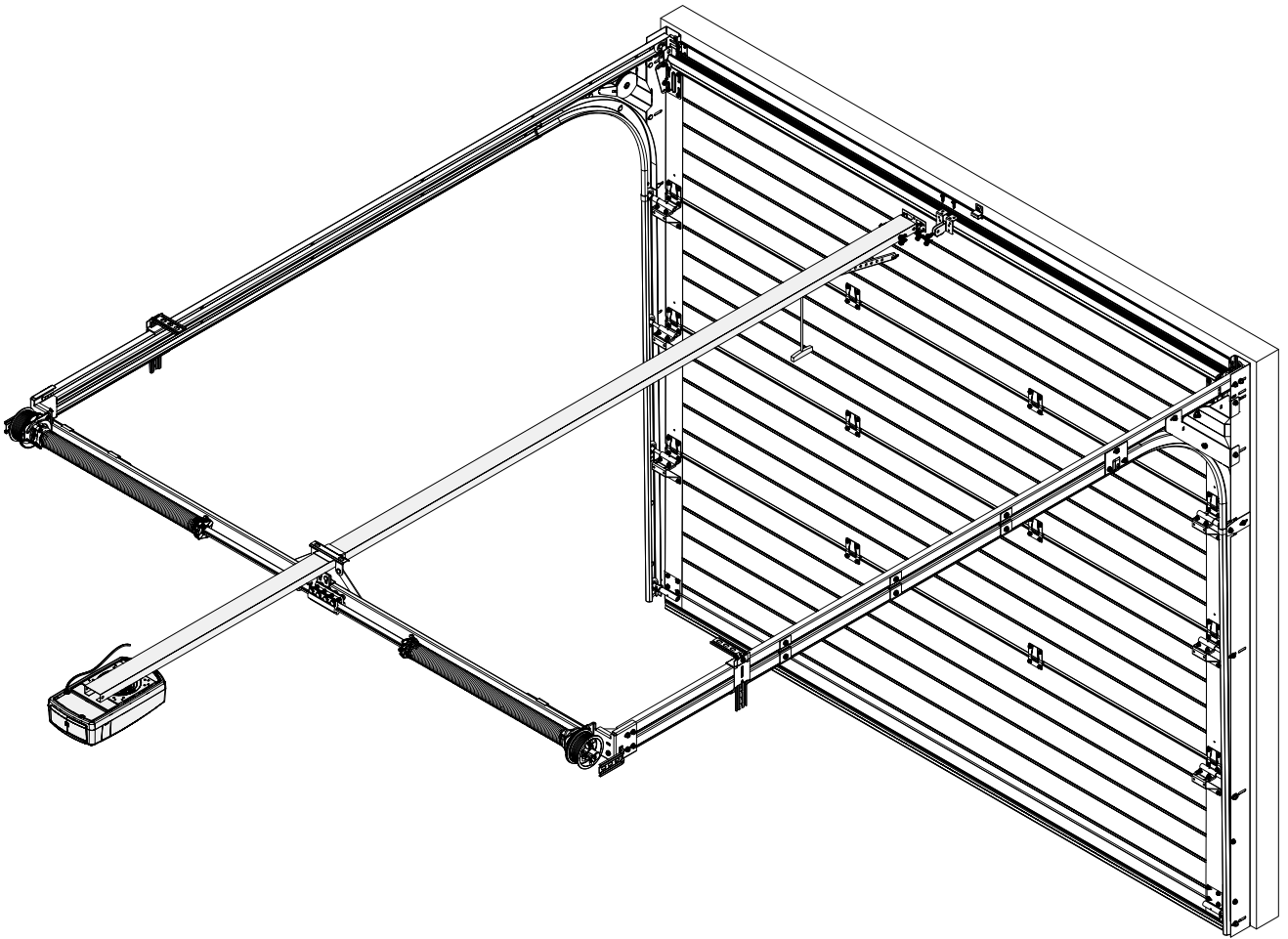
TENSION BAR
STAAL / STAHL / STEEL / ACIER 52

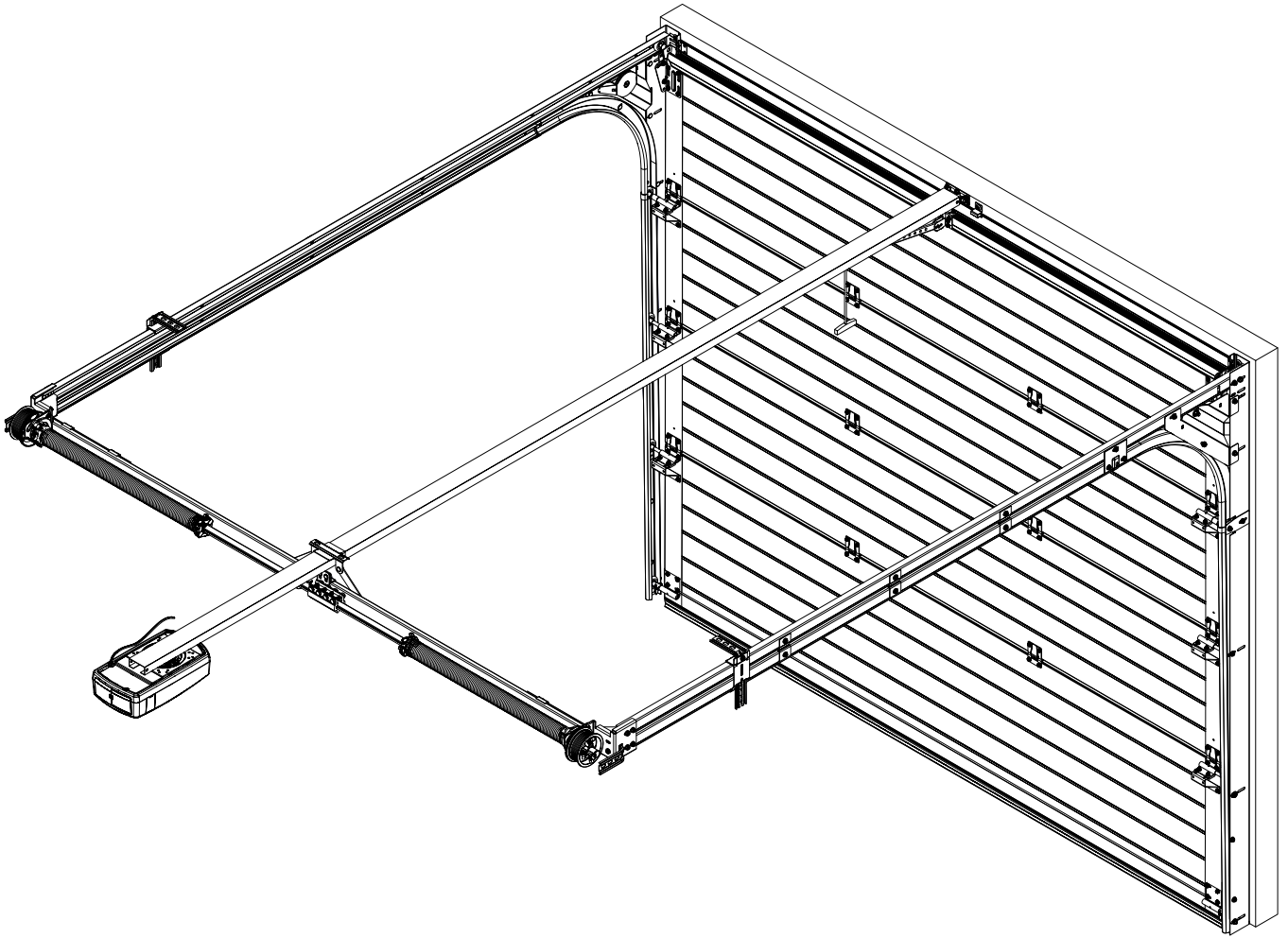


NL: Correcte wijze vastzetten van spankop
EN: Correct fastening of winding plug
DE: Richtige montage Feder spannkopf
FR: Fixation correcte du mandrin de tension

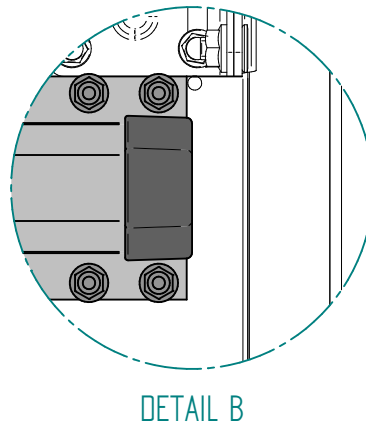
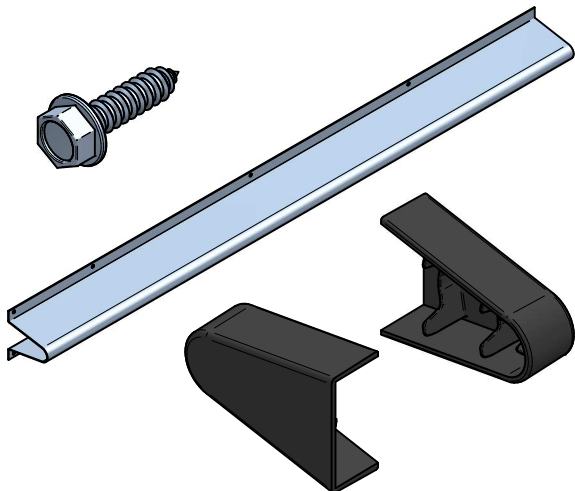
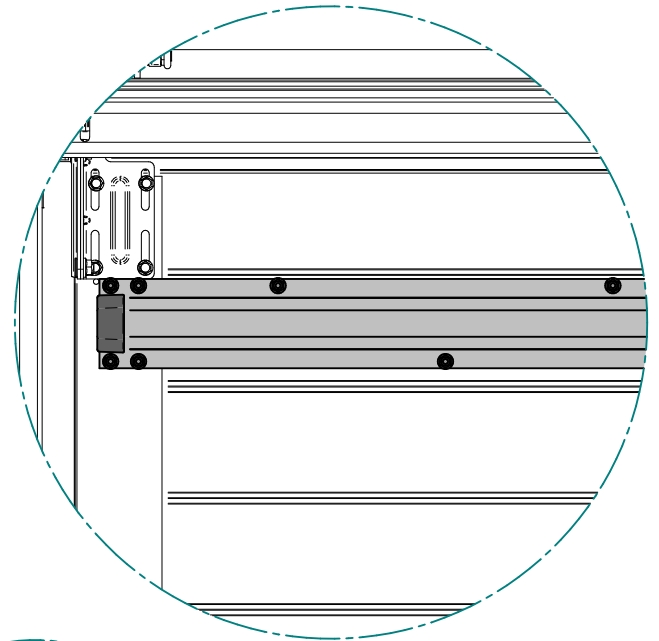
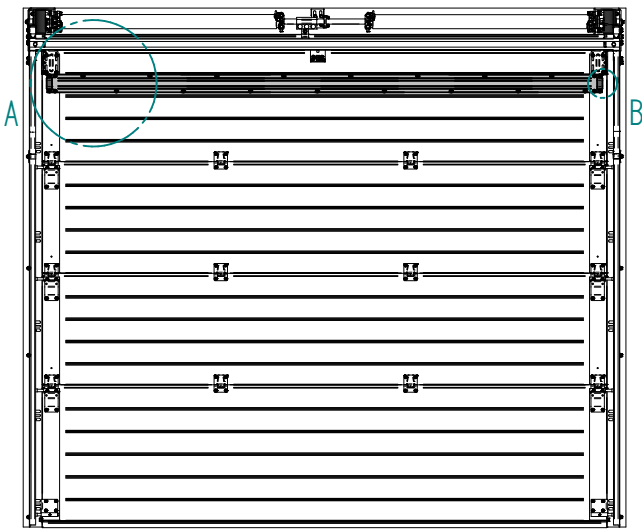
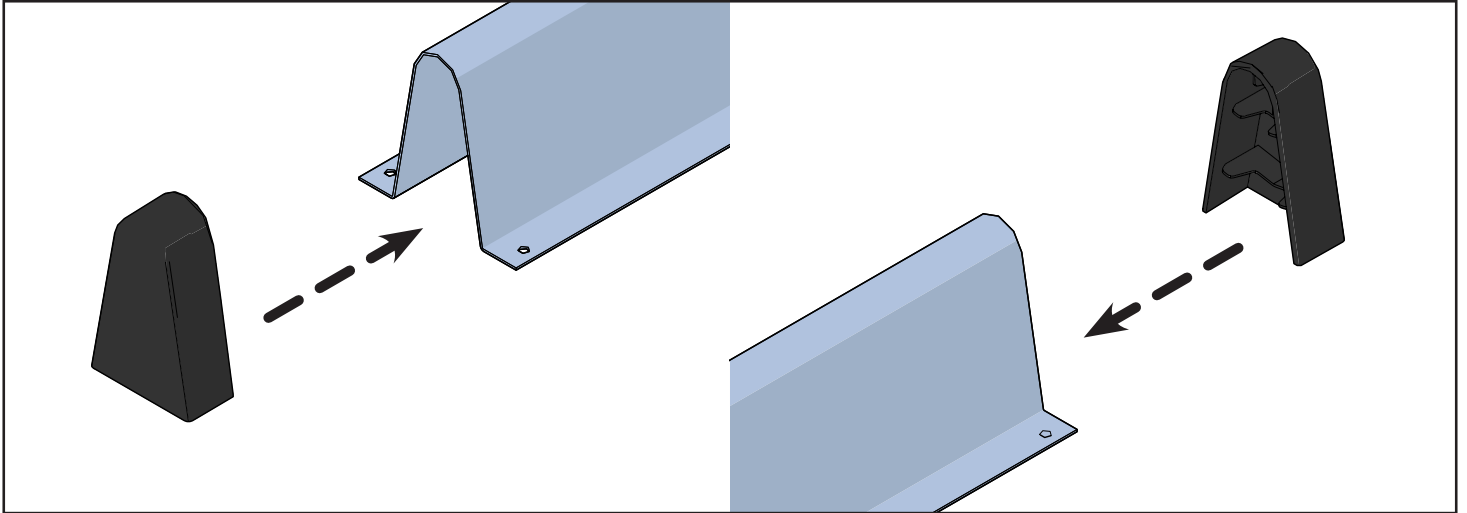
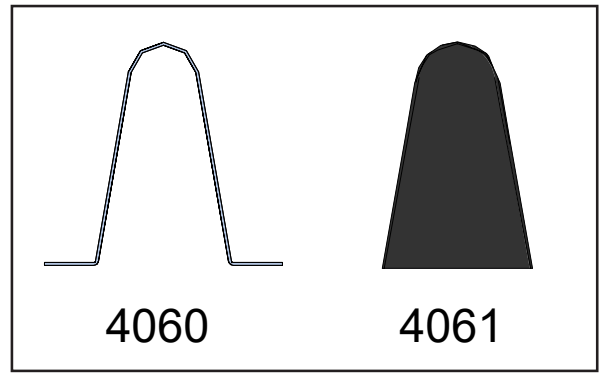




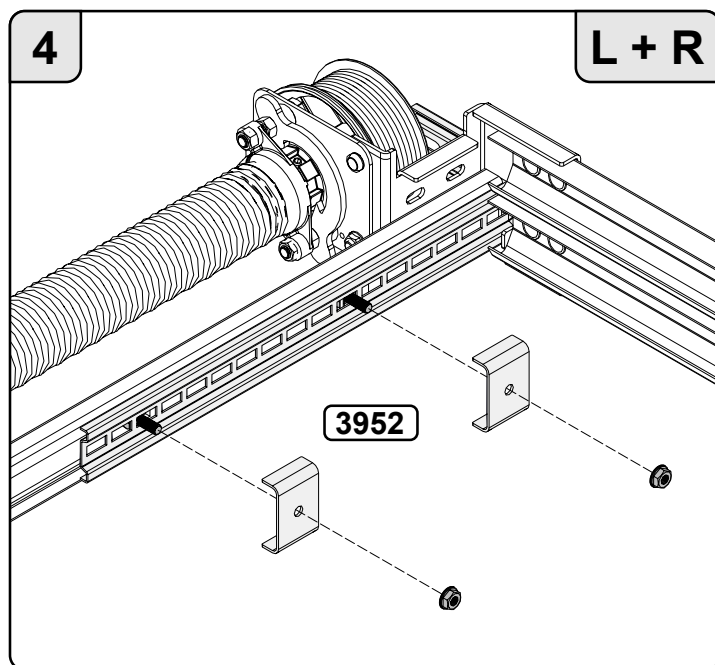
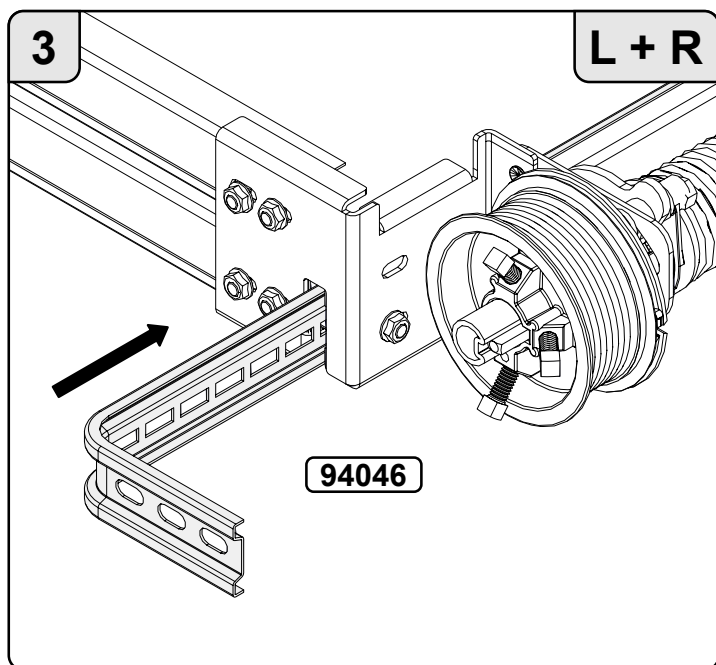
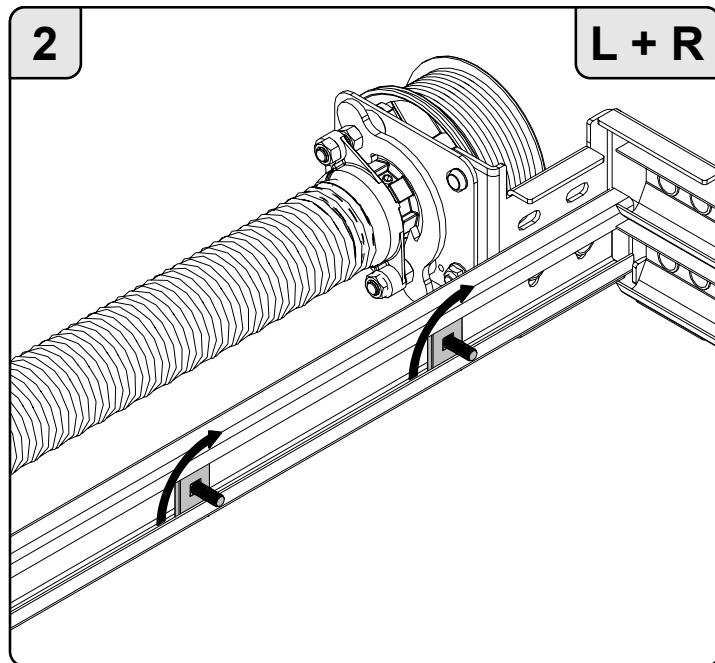
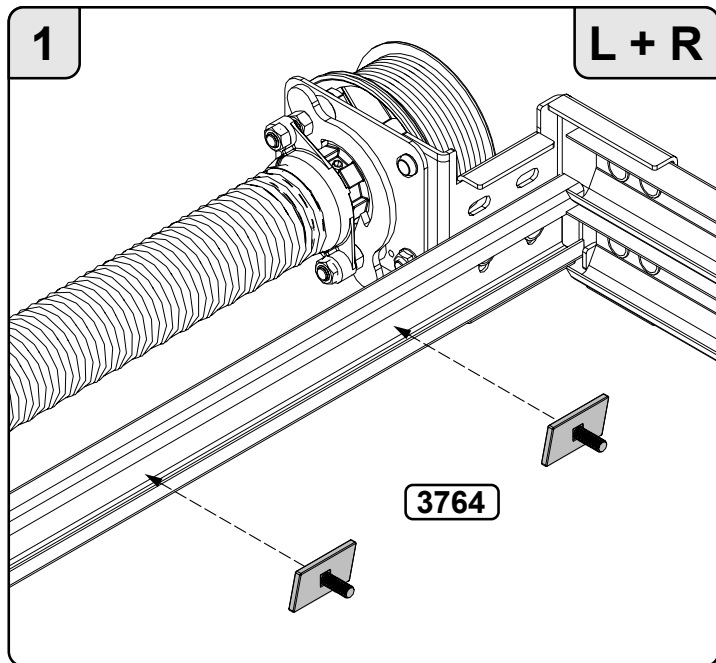
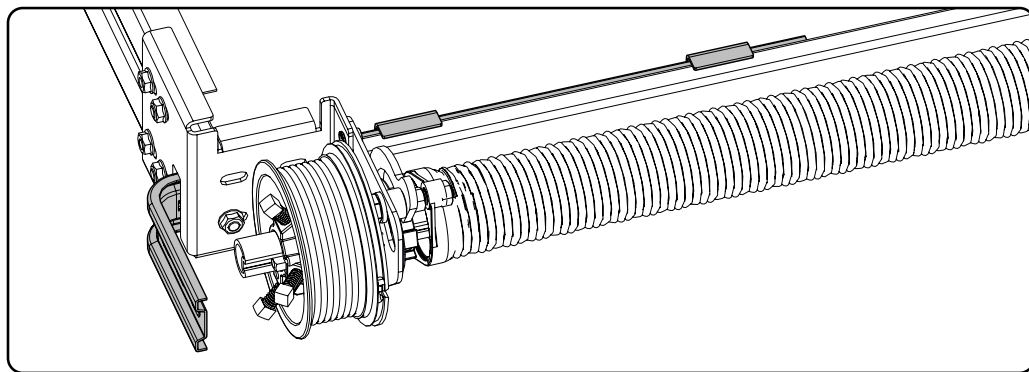




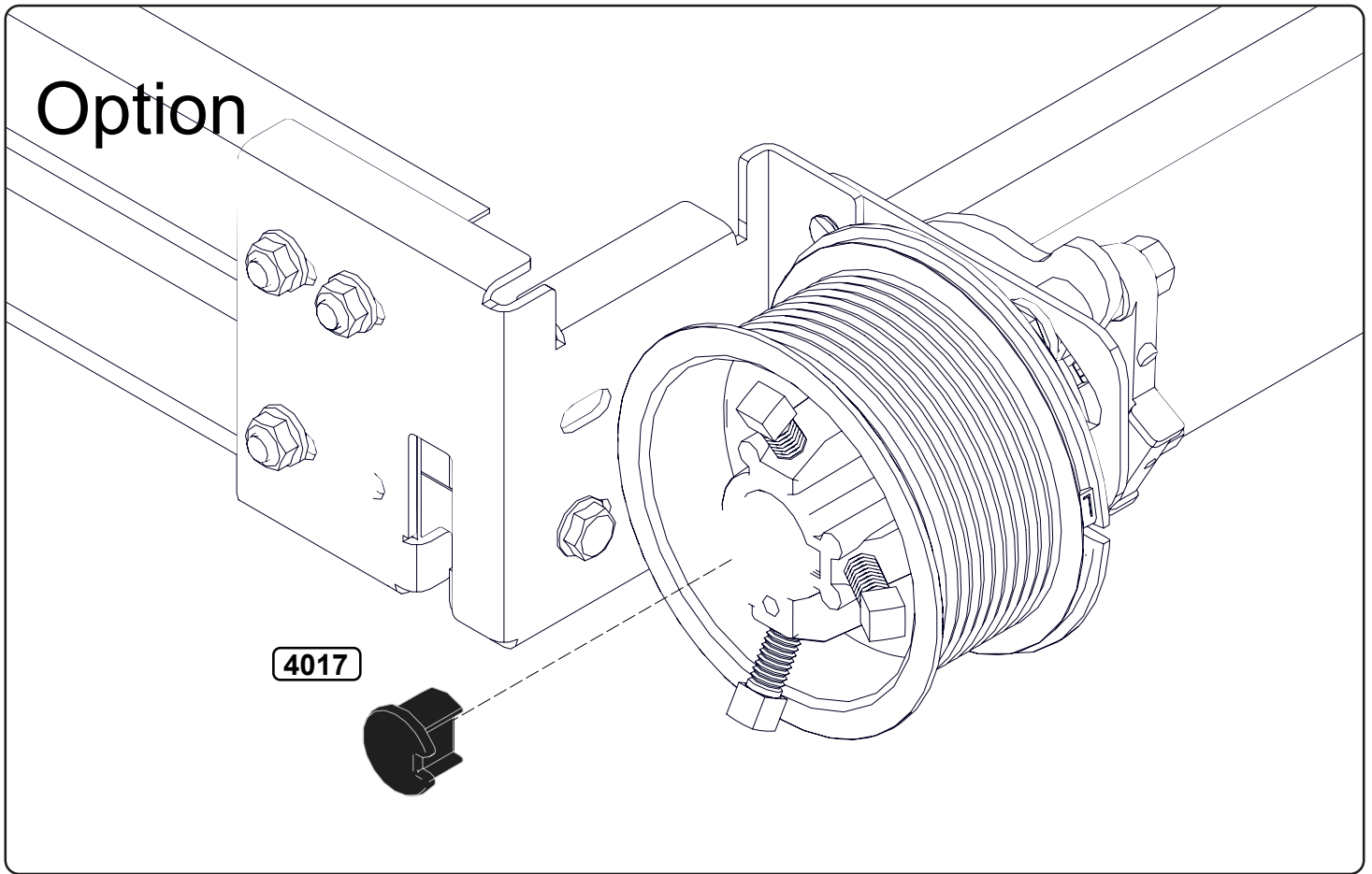
DMB = ≥ 4500



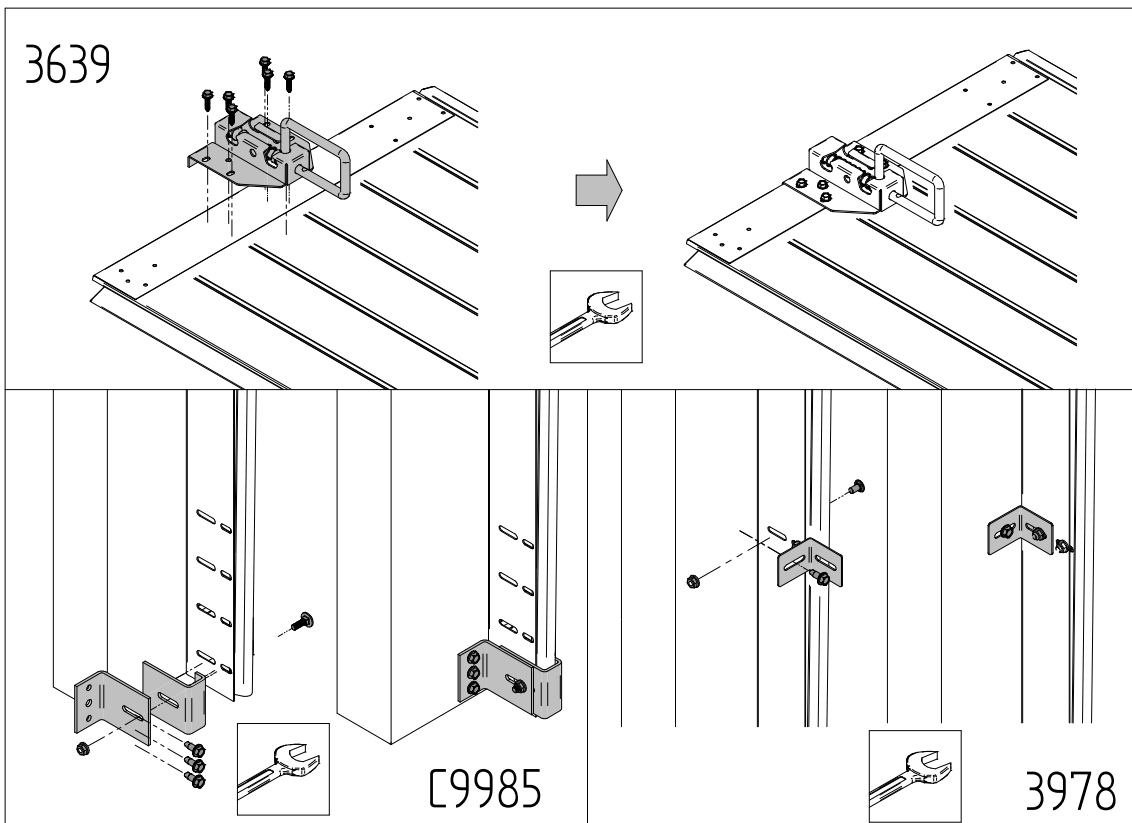
Option

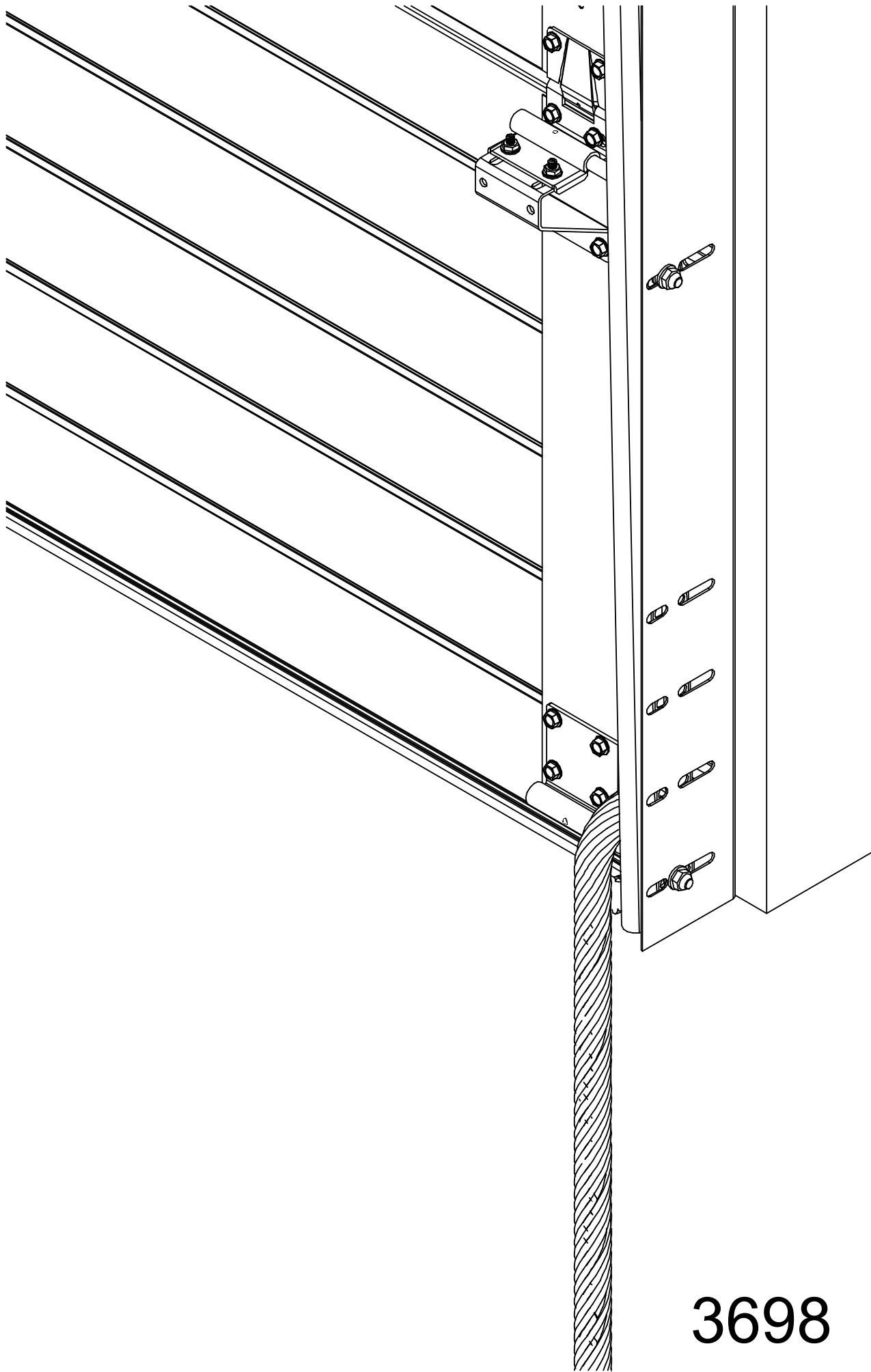


Option

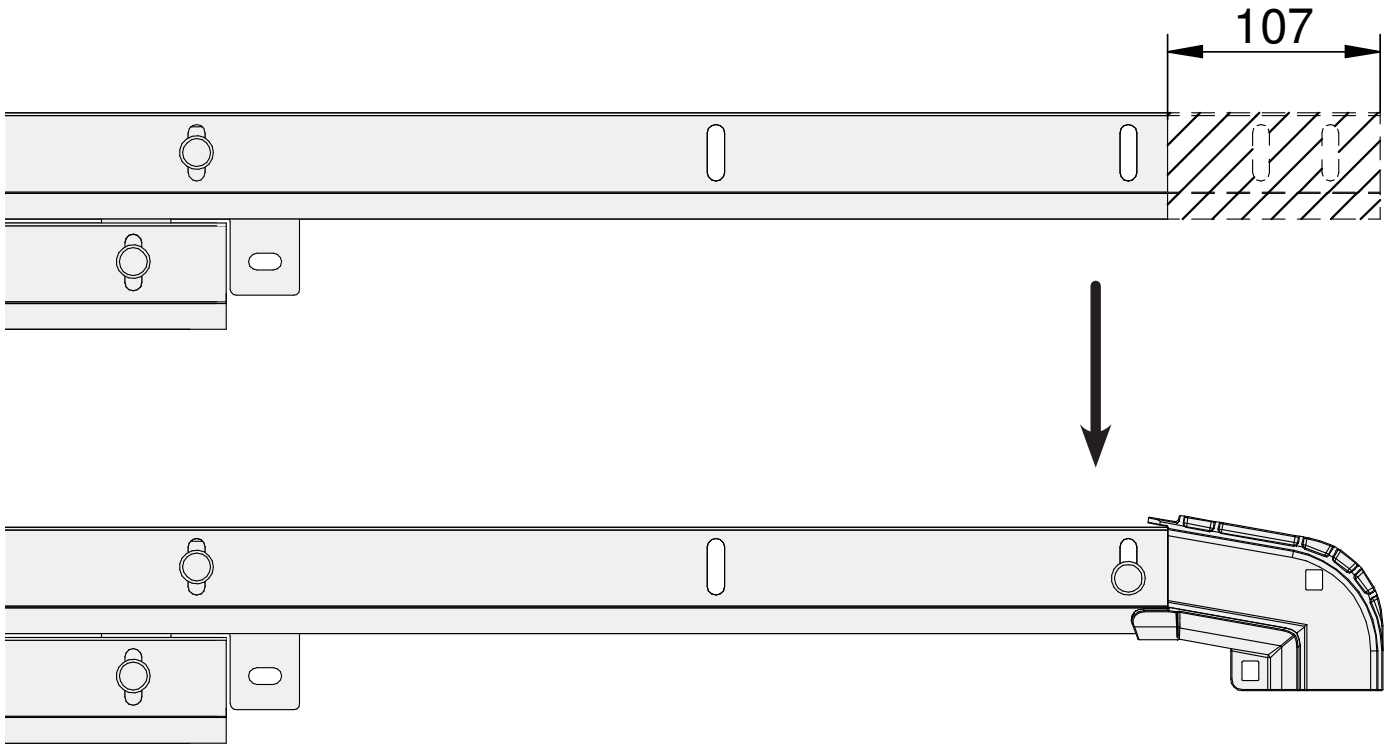
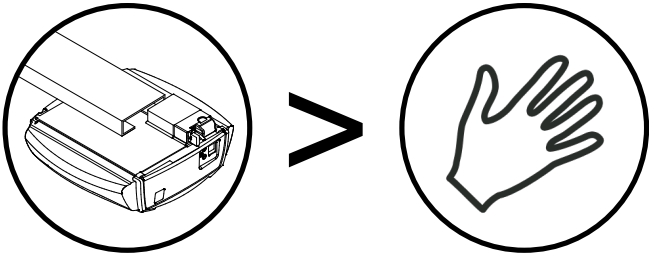


Options

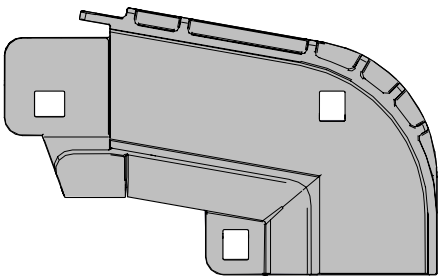




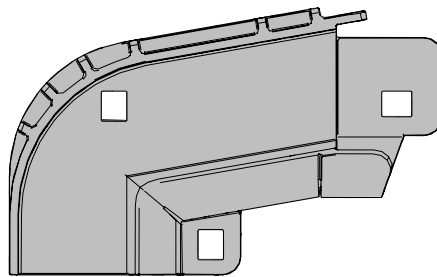
3698



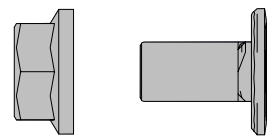
+



3998



3999



8080 8280
(2x)